

# Small Security Enclosure SEC-ENC-H-3/U

## INSTALLATION INSTRUCTIONS

This document covers the mounting of the WEBs® Security Enclosure model SEC-ENC-H-3/U, used for housing one Remote 2 Reader (SEC-H-R2R/U) expansion module for a WEBs Security Controller (SEC-H-201/U, SEC-H-600/U, SEC-H-602, SEC-H-616).

## DESCRIPTION

Small-sized enclosure with single DIN rail, tamper switch, key lock. Enclosure is NEMA type 1, with UL 294 listing.

**NOTE:** Refer to the *Remote 2 Reader Mounting & Wiring Guide (form no. 95-7749)*, for further details on mounting and wiring the SEC-H-R2R/U expansion module inside the SEC-ENC-H-3/U enclosure.

## Included in this Package

Included in this package you should find the following items:

- a SEC-ENC-H-3/U metal enclosure, with mounted DIN rail, and removable hinged door with key lock.
- a hardware bag containing a door tamper switch with two wire leads, screws, nuts, and cable ties.
- this *SEC-ENC-H-3/U Install Sheet* document, form no. 95-7748

Standard tools are needed for mounting of the enclosure. All materials are included, except for fasteners to mount to the wall.

## Locating and Removing Knockouts

For conduit and cabling entering the enclosure, a total of 12 available knockouts are located on the sides and bottom (see Fig. 1.). Two knockout sizes are used:

- 0.95" (24.1mm) - for 1/2" conduit, both sides, and top and bottom
- 1.20" (30.5mm) - for 3/4" conduit, sides only

Remove any knockouts required before mounting to the wall. In addition, install the appropriate conduit or cable clamps to the removed knockout holes.

You may wish to mark the location of the four mounting holes in the wall. See Fig. 3. for mounting hole dimensions.

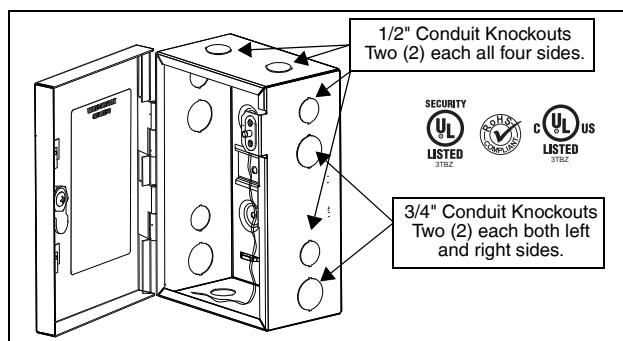
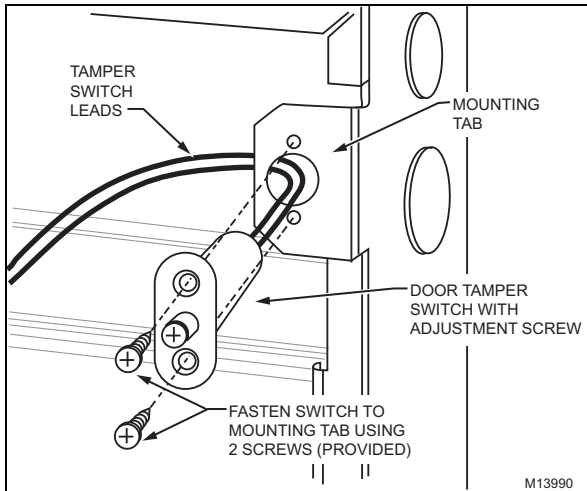


Fig. 1. SEC-ENC-H-3/U enclosure (showing knockouts).



## INSTALLING THE TAMPER SWITCH

Thread the two leads of the door tamper switch through the front of the hole in the mounting tab, and fasten the switch to the tab using the provided Philips head sheet metal screws (Fig. 2.).



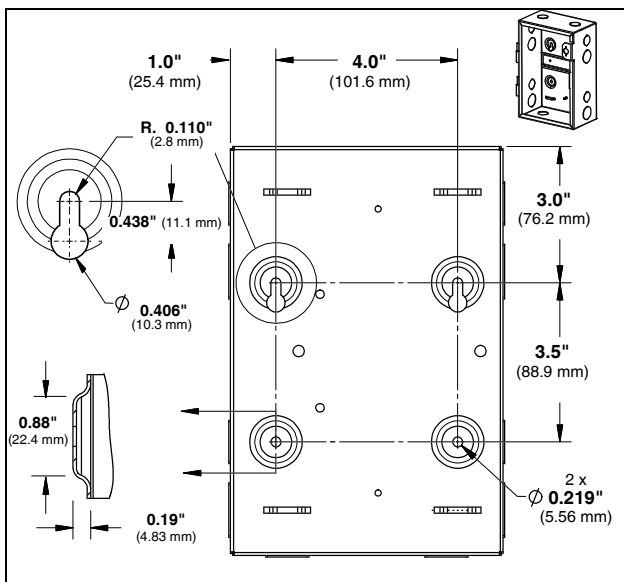
**Fig. 2. Tamper switch installation.**

Check the adjustment screw on the tamper switch.

## MOUNTING THE ENCLOSURE

**NOTE:** Mount the SEC-ENC-H-3/U enclosure in an indoor location only. For more environmental details, see the “UL Requirements” section in the *SEC-H-R2R/U Mounting & Wiring Guide (form no. 95-7749)*.

See Fig. 3. for mounting hole details.



**Fig. 3. SEC-ENC-H-3/U enclosure wall mount dimensions.**

Install fasteners in all 4 mounting holes, tightening securely. For example, if wall anchors were installed in 5/16" holes, use four #14 anchor bolts, or other appropriate fasteners, as needed to securely fasten.

## Earth Grounding

The SEC-ENC-H-3/U enclosure must be connected to a nearby earth ground, using a minimum 14 AWG (2.5mm<sup>2</sup> cross section) wire. See Fig. 4. below.

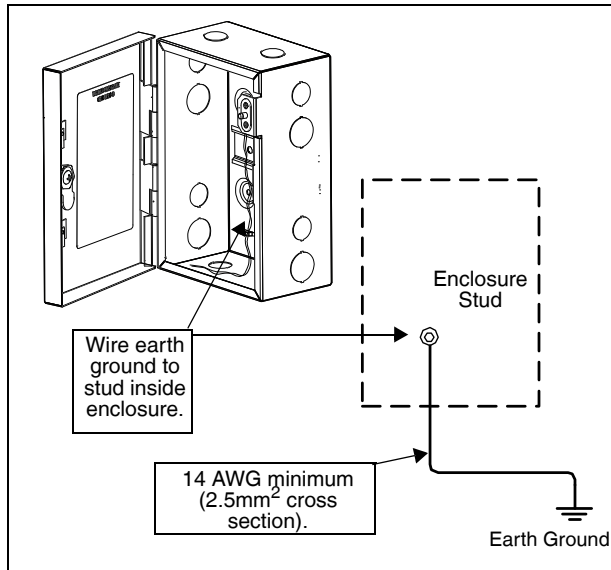


Fig. 4. SEC-ENC-H-3/U enclosure earth grounding.

## MOUNTING THE SEC-H-R2R/U

The SEC-H-R2R/U module mounts on the interior DIN rail of the SEC-ENC-H-3/U enclosure. See Fig. 5. below.

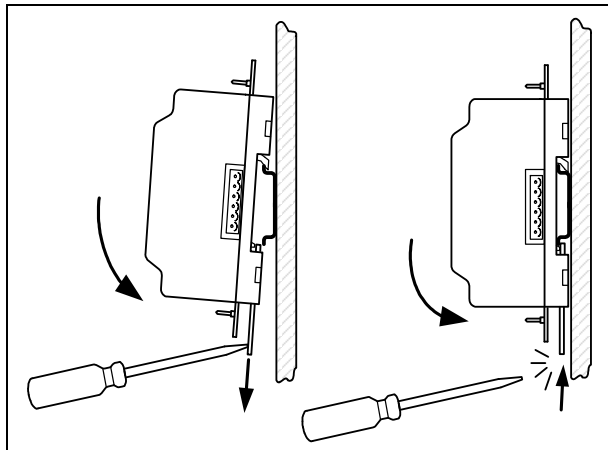


Fig. 5. Mounting SEC-H-R2R/U onto DIN rail.

Refer to the *SEC-H-R2R/U Mounting & Wiring Guide* for additional mounting information and for all wiring details.

## Related Documentation

- *SEC-H-201/U Installation Guide, form no. 95-7750*
- *SEC-H-600/U Installation Guide, form no. 95-7759*
- *SEC-H-602 and SEC-H-616 Security Controller Installation Instructions, form no. 31-00012*
- *SEC-H-R2R/U Installation Guide, form no. 95-7749*
- *SEC-ENC-H-1/U, SEC-ENC-H-1NP/U, SEC-ENC-H-2/U, and SEC-ENC-H-2NP/U Installation Guide, form no. 95-7747*

By using this Honeywell literature, you agree that Honeywell will have no liability for any damages arising out of your use or modification to, the literature. You will defend and indemnify Honeywell, its affiliates and subsidiaries, from and against any liability, cost, or damages, including attorneys' fees, arising out of, or resulting from, any modification to the literature by you.

**Automation and Control Solutions**

Honeywell International Inc.  
1985 Douglas Drive North  
Golden Valley, MN 55422  
[customer.honeywell.com](http://customer.honeywell.com)

© U.S. Registered Trademark  
© 2013 Honeywell International Inc.  
95-7748—05 M.S. Rev. 08-13  
Printed in United States

**Honeywell**