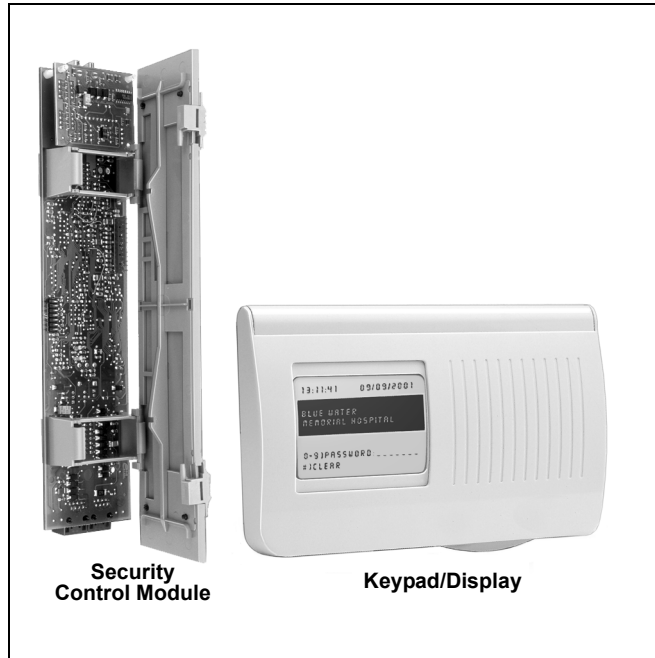


Security Control Module and Keypad/Display

3-SAC, XLS-KPDISP

SPECIFICATION DATA



Security Control Module

Keypad/Display

FEATURES

- Listed for fire and security.

Security Control Module:

- Two supervised RS-485 device circuits.
- 4,000 ft. (1,220 m) maximum circuit length.
- XLS1000 local rail module.
- Supports control/display modules.
- Supervised by the network controller.

Keypad/Display:

- 128 x 64 backlit dot matrix LCD display.
- Telephone style keypad with tactile and audible feedback.
- Removable protective cover.
- 200 users and 9999 pin codes.
- Supports bilingual operation.
- Menu driven.
- Non-volatile memory.

APPLICATION

The 3-SAC Security Control Module is a key component in the true integration of security into the XLS1000 multiplexed life safety system. The 3-SAC is the demarcation point between fire and security functions. For jurisdictions requiring independent wiring of fire and security devices, the 3-SAC offers two independent circuits. Where fire and security devices are permitted to be connected to the same circuit, both circuits can support fire and security functions. All security devices that connect to a 3-SAC are designed and tested to strict fire alarm standards. For example, to enhance reliability, the 3-SAC can be wired in a Class A (Style 6) configuration, thus delivering an additional level of system survivability over traditional systems employing Class B wiring.

The 3-SAC can be used in combination with the MODCOM Modem Communicator (3-MODCOM). The MODCOM's dialer (DACT) function is used to transmit alarms to one or more central monitoring stations and/or paging terminals.

Additionally, information received by the MODCOM can be downloaded through the 3-SAC to individual security devices. Refer to form no. 74-3336, Modem Communicator Specification Data Sheet for additional details on the Honeywell MODCOM.

Total integration of the XLS1000 system assures that processing of fire alarm signals always receive the highest priority over routine signal processing. Power for the 3-SAC comes from the same highly reliable power supply/battery combination used to power the fire alarm components. Any Control Display module will mount in front of the 3-SAC, allowing greater flexibility of the system user interface layout.

The 3-SAC is used to connect the keypad displays to the XLS1000 network. This permits the network to perform functions network-wide in response to fire and/or security events.



The XLS-KPDISP Keypad/Display is a combination keypad and dot-matrix display designed for use with the XLS1000 integrated system. The unit features a large LCD display and telephone-style keypad housed in an attractive Cycology® case. A removable cover is provided to prevent accidental keypad activation and protect against dirt.

The XLS-KPDISP transmits and receives information from/to the 3-SAC Security Access Control module installed in the XLS1000 system. Communications between the XLS-KPDISP and the 3-SAC are supervised, providing the ultimate in reliability. XLS-KPDISP data is stored in non-volatile memory. Power to the XLS-KPDISP is provided by the XLS1000, ensuring a reliable, supervised and backed-up power source.

The XLS-KPDISP supports bilingual operation and can be programmed to automatically display the language of the user.

The display is backlit and lights whenever a key is pushed. An automatic timer extinguishes the light after a brief delay. The keypad features tactile and audible feedback and is backlit at all times. To aid in locating the keypad in the dark, the back lighting is visible even with the cover closed.

All operations are menu driven. The most common use of the XLS-KPDISP is arming and disarming security partitions. The display permits a user to identify off-normal points and take corrective action. If the problems can not be corrected, the user has the option to bypass a point before arming the system.

When used with the XLS1000 and the 3-MODCOM, opening and closing signals may be sent automatically to a central monitoring station.

Up to 200 authorized users are assigned a pass code consisting of a unique three-digit number and a four-digit PIN number. Duplicate PINs are permitted by the XLS-KPDISP so a user can pick a number that is easy for him/her to remember.

The XLS-KPDISP can also annunciate fire functions and be programmed to act as a full function fire annunciator. In the event of a problem, context-sensitive help is readily available using the HELP button.

SPECIFICATIONS

Security Control Module

Model: 3-SAC Security Control Module.

Electrical Ratings:

Circuit Capacity: 30 devices on one Class A circuit, 62 devices on two circuits wired Class B.
Input Current: 40 mA under all conditions.

Maximum Line Resistance: 52 ohms.

Maximum Capacitance: 0.1 µF

Temperature Ratings: 32° F to 120° F (0° C to 49° C).

Humidity Ratings: 0 to 85% RH, non-condensing.

Wiring: See Fig. 1.

Wire Size: 22 AWG to 14 AWG (0.25 sq mm to 1.5 sq mm) depending on specifications of connected devices.

Mounting: One local rail space.

Compatibility: Compatible with Honeywell Signature Loop Controller operating under Honeywell SDU version 3.1 or higher.

Approvals: UL, ULC (see NOTE).

NOTE: The XLS1000 is modularly listed under the following standards: UL 864 categories: UOJZ, UOXX, UUKL and SYZV, UL 294 category ALVY, UL 609 category AOTX, UL 636 category ANET, UL 1076 category APOU, UL 365 category APAAW, UL 1610 category AMCX, UL 1635 category AMCX ULC-S527, ULC-S301, ULC-S302, ULC-S303, ULC-S304, ULC-S306, ULC/ORD-C1076, ULC/ORD-C693.

Refer to form no. 95-7545, XLS1000 Installation and Service Manual for complete system requirements.

Keypad/Display

Model: XLS-KPDISP Keypad Display.

Electrical Ratings:

Circuit Configuration: Class A or Class B.
Power Requirements: 24 Vdc at 95 mA.

Temperature Ratings: 32° F to 120° F (0° C to 49° C).

Humidity Ratings: 0 to 93% RH, non-condensing.

Wiring: See Fig. 2.

Wire Size: 22 AWG to 14 AWG (0.25 sq mm to 1.5 sq mm).

Terminal Blocks: One pair carries data in and out of the unit, while the second pair provides power.

Communications: RS-485.

Supported Languages: English, Spanish, French, Hebrew, Italian, Dutch, Polish, Russian, Turkish, Portuguese, Slovak.

Users: 200 maximum per XLS-KPDISP.

Partitions Supported: 255 maximum per XLS-KPDISP.

Mounting: Directly on wall using 4 in. (100 mm) square or 2-gang electrical boxes.

Dimensions (W x H x D): 7-1/4 in. (184 mm) x 4-3/4 in. (121 mm) x 1-1/4 in. (32 mm). Open height: 8-3/4 in. (222 mm).

Finish: White high-impact Cycology thermoplastic.

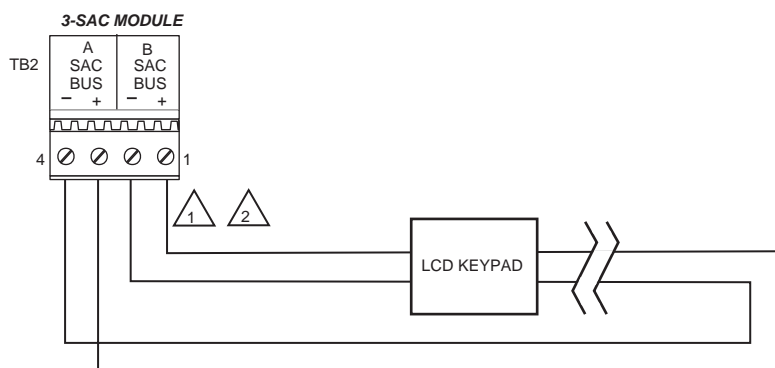
Approvals:
UL, ULC-S527 (see NOTE).

NOTE: The XLS1000 is modularly listed under the following standards: UL 864 categories: UOJZ, UOXX, UUKL and SYZV, UL 294 category ALVY, UL 609 category AOTX, UL 636 category ANET, UL 1076 category APOU, UL 365 category APAW, UL 1610 category AMCX, UL 1635 category AMCX, ULC-S527, ULC-S301, ULC-S302, ULC-S303, ULC-S304, ULC-S306, ULC/ORD-C1076, ULC/ORD-C693.

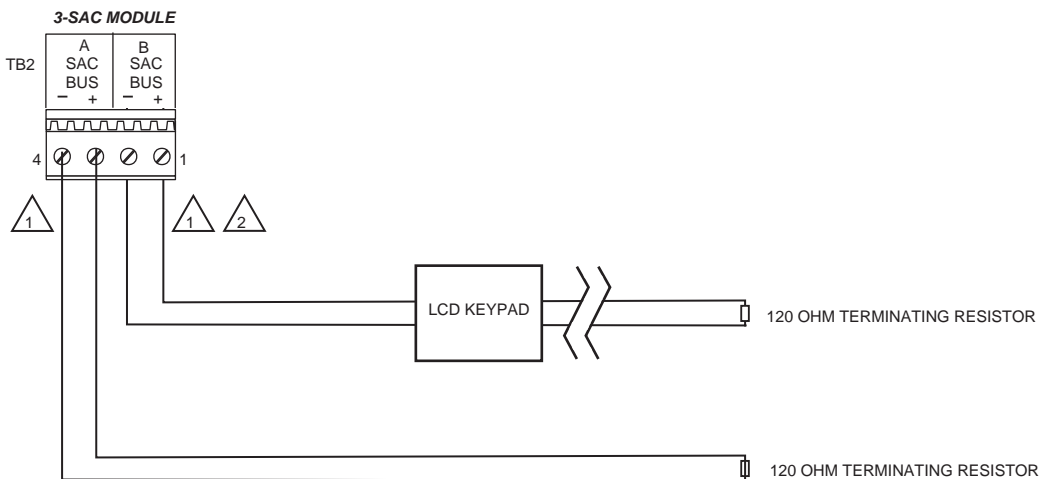
Refer to form no. 95-7545, XLS1000 Installation and Service Manual for complete system requirements.

NOTE: NOT TO BE USED FOR INSTALLATION PURPOSES.

CLASS A WIRING (STYLE 6)



CLASS B WIRING



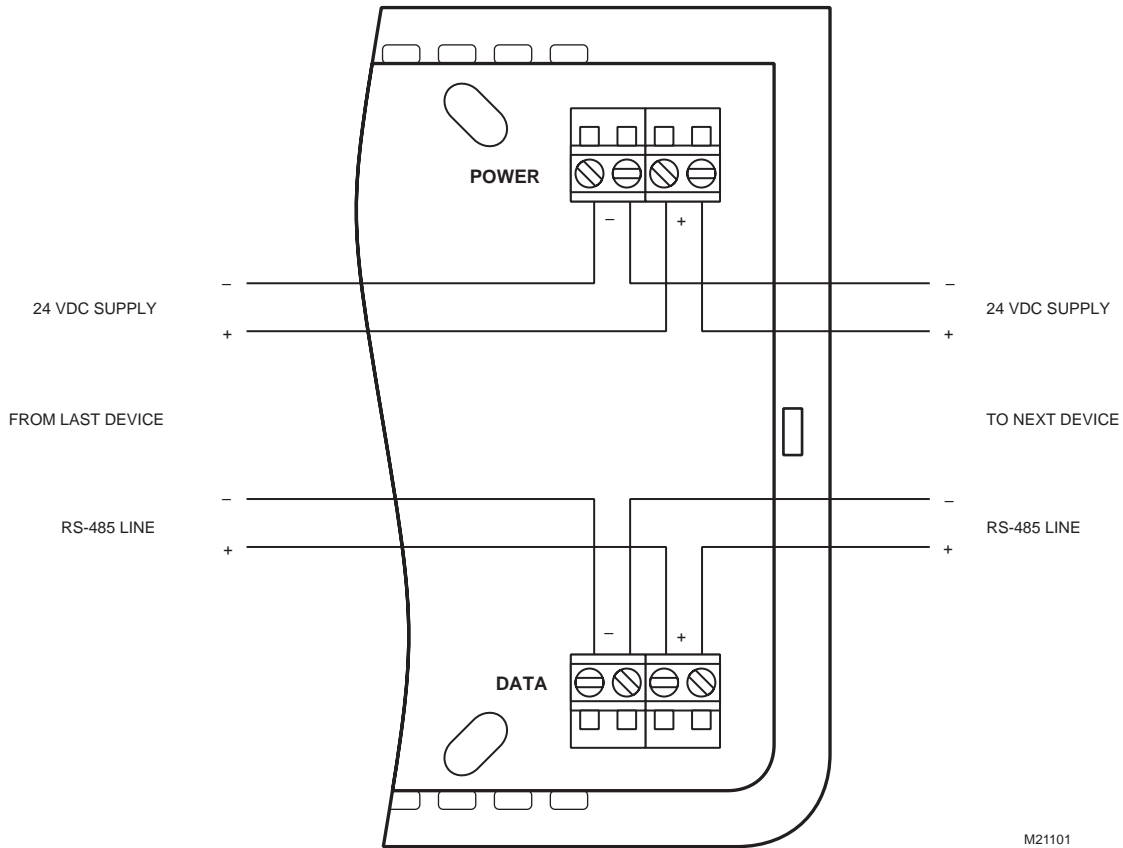
1 SECURITY CONTROL BUS.

2 4,000 FT (2,110M) MAXIMUM CIRCUIT LENGTH. ALL WIRING IS POWER LIMITED AND SUPERVISED.

NOTE: XLS-KPDISP REQUIRES 24 VDC FOR POWER.

M21102

Fig. 1. Typical 3-SAC wiring.



M21101

Fig. 2. Typical XLS-KPDISP wiring.

ORDERING INFORMATION

Catalog Number	Description	Shipping Wt. lb (kg)
3-SAC	Security Control Module	0.5 (.23)
XLS-KPDISP	Keypad Display	1 (0.45)

Cyclocol[®] is a registered trademark of Borg-Warner Corporation.

Automation and Control Solutions

Honeywell International Inc.
1985 Douglas Drive North
Golden Valley, MN 55422
www.honeywell.com/buildingsolutions

Honeywell Limited-Honeywell Limitée
35 Dynamic Drive
Scarborough, Ontario M1V 4Z9

Honeywell