

Networked Zoning System Kit

INSTALLATION INSTRUCTIONS

APPLICATION

The Networked Zoning System Kit contains individual components that are required for installing your complete zoning system: equipment module, damper module, plate-mounted transformer and zone thermostats.

INSTALLATION

When Installing this Product...

1. Read these instructions carefully. Failure to follow them could damage the product or cause a hazardous condition.
2. Check the rating given in the instructions and on the product to make sure the product is suitable for your application.
3. Installer must be a trained, experienced service technician.
4. After installation is complete, check out product operation in both heating and cooling modes.

Planning the Installation

These instructions are for experienced HVAC technicians who are familiar with these forced-air zone control products. For complete details on installation and setup requirements, carefully read and thoroughly understand the detailed instructions for each individual component packaged within the kit.

Checking the Contents of the Zoning System Kit

Your kit should contain the following:

1. One W8635A,B Equipment Module with complete Installation Instructions, depending on equipment type.
2. One W8703A Damper Module with complete installation instructions.
3. One AT140D 24V, 40 VA Plate Mounted Transformer.

4. Either two or three T8635L Thermostats (depending on the number of zones your zoning system controls).
 5. One C7089B Outdoor Air Temperature Sensor.
- Your kit *does not include*:
1. Necessary zone dampers.
 2. Static pressure regulating damper (optional).
 3. Thermostat wire.

IMPORTANT:

You must use 18-gauge thermostat wire. using a lighter gauge can result in voltage reductions and improper system operation.

Mounting the Equipment and Damper Modules

1. Consider these factors when selecting module mounting location:
 - a. The modules are designed to be installed in the equipment room near the HVAC equipment. See Fig. 1 and 2.

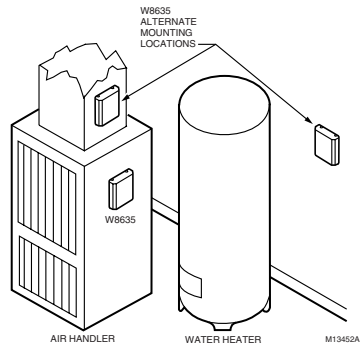


Fig. 1. Selecting W8635B Equipment Interface Module location.



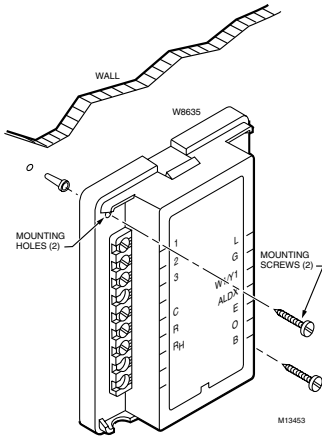


Fig. 2. Mounting W8635A Equipment Interface Module.

Connecting Zone Thermostats, Equipment Module and Damper Module Together

See the wiring diagrams in the Equipment Module Installation Instructions included in this kit (see Checking the Contents of the Zoning System Kit section).

1. Connect the 1 wire from each thermostat, the equipment module, and the damper module as shown in Fig. 4.

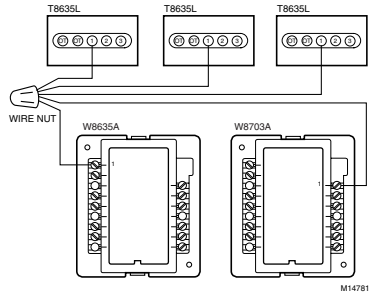


Fig. 4. Connecting zone thermostats, equipment module and damper module wiring diagram.

2. Connect the 2 and 3 wires as in step 2.

Connecting the Heating/Cooling System to the Equipment Module

(See the wiring diagram in the equipment module Installation Instructions included in this kit (see Checking the Contents of the Zoning System Kit section).

1. Connect the 24V damper motor actuator to the zone terminal block for each respective zone (Fig. 3).

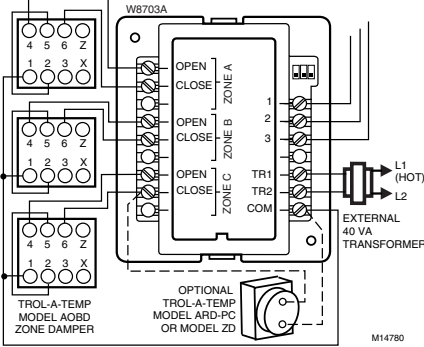


Fig. 3. Connecting Damper Interface Module to Zone Damper wiring diagram.

1. Connect the heating/cooling system according to the type of system installed, see Fig. 5-7. See Fig. 8 for complete system wiring.

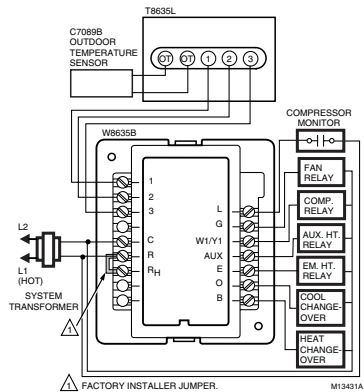


Fig. 5. 2H/1C heat pump with auxiliary heat application.

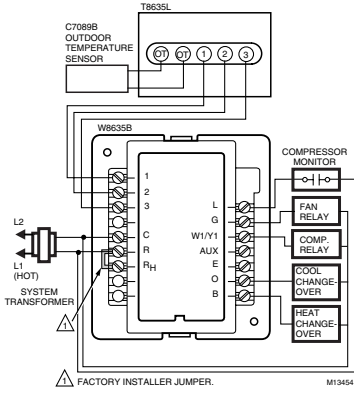


Fig. 6. 1H/1C single-stage heat pump application.

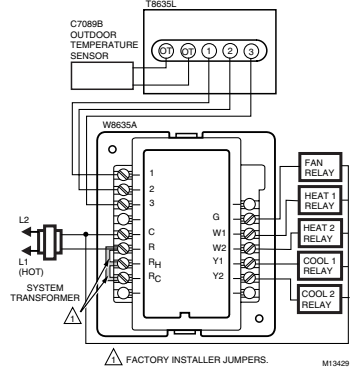


Fig. 7. 2H/2C single transformer application.

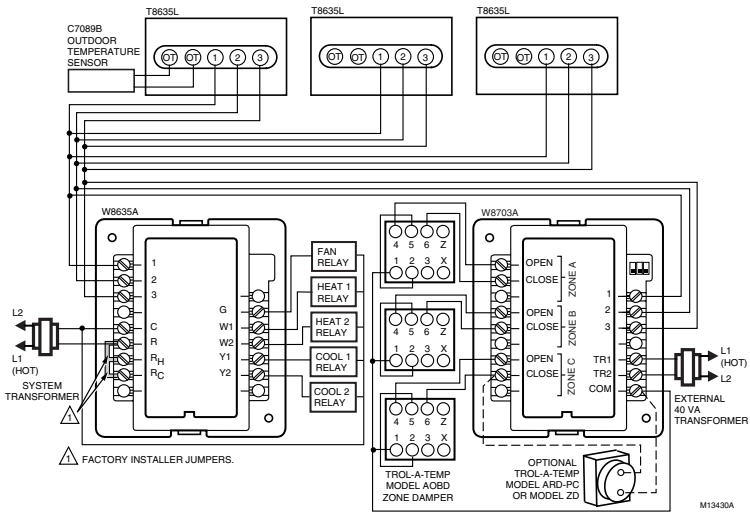


Fig. 8. T8635L/W8703A/W8635A with Outdoor Temperature Sensor.

Configuring the Networked Zoning System for Your Application

1. Observe the Communication LED flashing after power is applied and the system enters Discovery Mode.
2. Set the system configuration according to the Installer Setup in the T8635L installation instructions included in this kit.

IMPORTANT:

The system automatically selects the maximum number of stages. When fewer stages are used, the installer must down select the number of stages as indicated in the T8635L Installer Setup instructions.

3. Configure your system according to your needs.

Connecting the 24V, 40 VA Transformer to the Damper Interface Module (Fig. 9)

IMPORTANT

A separate 24V, 40 VA power supply is necessary to power the damper module. Do not attempt to power the damper module with the HVAC System Transformer because it may not have the capacity to power both.

1. Install the separate AT140D 24V, 40 VA transformer included in your kit.

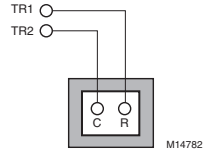


Fig. 9. Separate damper module, 40 VA power supply.

Home and Building Control

Honeywell Inc.
1985 Douglas Drive North
Golden Valley, MN 55422

Home and Building Control

Honeywell Limited-Honeywell Limitée
35 Dynamic Drive
Scarborough, Ontario
M1V 4Z9

