

SEC-H-INT-KP SmartKey

INSTALLATION INSTRUCTIONS

This document covers the mounting and wiring of the SEC-H-INT-KP remote intrusion arming display/keypad (SmartKey) in a Honeywell Security Appliance system, hosted by a security controller (SEC-H-201 or SEC-H-600 model controller).

Description

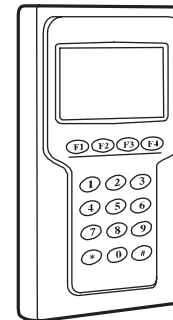
The SEC-H-INT-KP is a remote intrusion display/keypad used to arm, disarm, and monitor intrusion zones. The integral graphic LCD display features a white backlight, and 128 X 64 resolution. The keypad features a blue backlight, 4 function keys, and 12 data keys.

Notes

- This device is intended for installation in secure indoor locations only. Operating temperature range is 14°F to 131°F (-10°C to 44°C).
- Power this device using the 12 VDC reader output of the SEC-H-201, SEC-H-600, or SEC-H-R2R reader expansion module. Device current draw is 150mA. See the "Estimating Power and Battery Requirements" section in the installation guide for the security controller to determine power supply, battery, and cable requirements.
- Communication to the SmartKey device is via an RS-485 port wired to an NPB-2X-485 option card installed in the Option Card 2 slot of the security controller. Refer to the NPB-2X-485 Option card installation sheet for details. Note that the SmartKey does NOT communicate on the same RS-485 bus as the SEC-H-R2R and SEC-H-RIO modules.
- A maximum of 10 SmartKeys may be installed per security controller.

Not covered in this document is the setup and operation of installed SEC-H-INT-KP SmartKeys. Refer to the WEBS AX Security Controller User's Guide (number 74-4062) for this information.

For all other related mounting and wiring details, refer to the appropriate mounting and wiring document. See "Related Documentation" on page 3.



SMARTKEY
OVERALL DIMENSIONS
IN INCHES AND (MM):

HEIGHT: 5.12" (130)
WIDTH: 3.23" (82)
DEPTH: 0.83" (21)

COLOR: SILVER GREY
MATERIAL: ABS

M27319

Fig. 1. SEC-H-INT-KP SmartKey.

Included in this Package

Included in this package you should find the following items:

- an SEC-H-INT-KP SmartKey, with removable mounting backplate.
- This document SEC-H-INT-KP SmartKey Installation Instructions, Number 62-0272.

Material and Tools Required

The following supplies and tools are required for installation:

- Small wire nuts, for making wiring terminations to SmartKey terminals.
- Suitable tools for installing wall fasteners and preparing wires for connections.

Recommended Cable Types

The following cable types are recommended for wiring between an SEC-H-INT-KP SmartKey and the security controller or SEC-H-R2R module (see Figure 4 on page 3):

- RS-485 data communications: Belden 9501 (1 pair) or 9502 (2 pair), 24AWG shielded twisted-pair, or equivalent.
- 12Vdc power: Belden 9154, 1 pair 20AWG shielded twisted-pair, or equivalent.



MOUNTING

Mount the SEC-H-INT-KP backplate onto a wall junction box, with wiring cable(s) passed through center opening. See Figure 2 for dimensions.

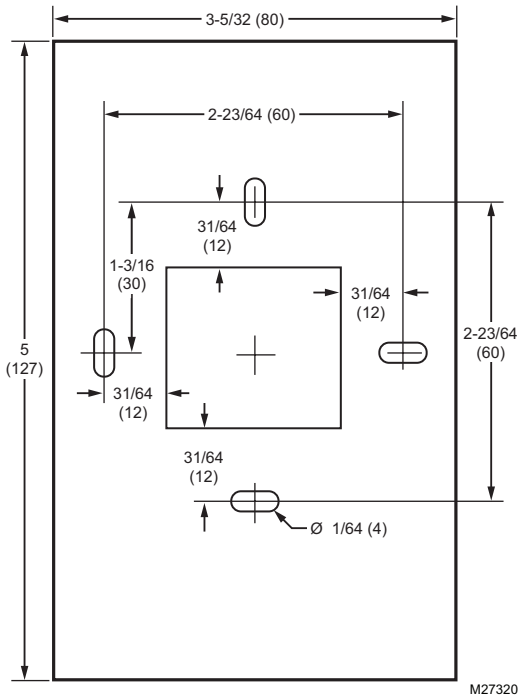


Fig. 2. SEC-H-INT-KP backplate dimensions.

Fasten with the appropriate screws into the mounting slots.

WIRING

Only two connectors on the back of the SEC-H-INT-KP (Figure 3) are used: J1 (Power) and J5 (RS-485 comm).

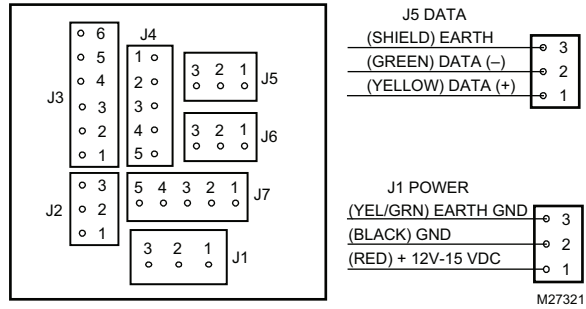


Fig. 3. Connector Detail, Rear View of SEC-H-INT-KP.

Connectors have pre-attached leads—make wiring terminations to leads using small wire nuts. Lead colors are shown (in parenthesis) in Figure 3.

CAUTION

Electrical Shock Hazard

Before making wiring terminations, remove power from the security controller or SEC-H-R2R module. Restore power only after making all wiring terminations and fastening the SEC-H-INT-KP SmartKey unit onto its mounted backplate.

Note that up to 10 SEC-H-INT-KP SmartKey units are supported, where RS-485 wiring from the security controller (NPB-2X-485 option card) is “daisy-chained” at the data J5 connector on each SmartKey. For any SmartKey installed on either end of this RS-485 buss, set its EOL Resistor JUMPER 1 to the ON position.

Wire 12VDC power to the unit from the reader input of the security controller, or if closer, the reader input of an SEC-H-R2R module. Use shielded, twisted-pair cabling for all wiring, with the shield continuously connected and grounded to earth at one point only. See “Recommended Cable Types,” page 1.

EXAMPLE WIRING DIAGRAM

Figure 4 shows an example wiring diagram for a system using two SEC-H-INT-KP SmartKeys. Note in this example, SmartKey #1 is installed at the end of the RS-485 wiring, on which the security controller is daisy-chain connected on its NPB-2X-485 option connector. From there, this SmartKey bus continues on one pair of a 2-pair cable run to the SEC-H-R2R module (the other pair is used for RS-485 communications between the security controller and its expansion modules).

From the SEC-H-R2R module, another 2-pair cable is run to the SmartKey #2 unit, which allows for RS-485 “multidrop” wiring (using one pair to return back to the SEC-H-R2R module). Wiring can continue in this fashion to other SEC-H-R2R modules and SmartKey units, if needed.

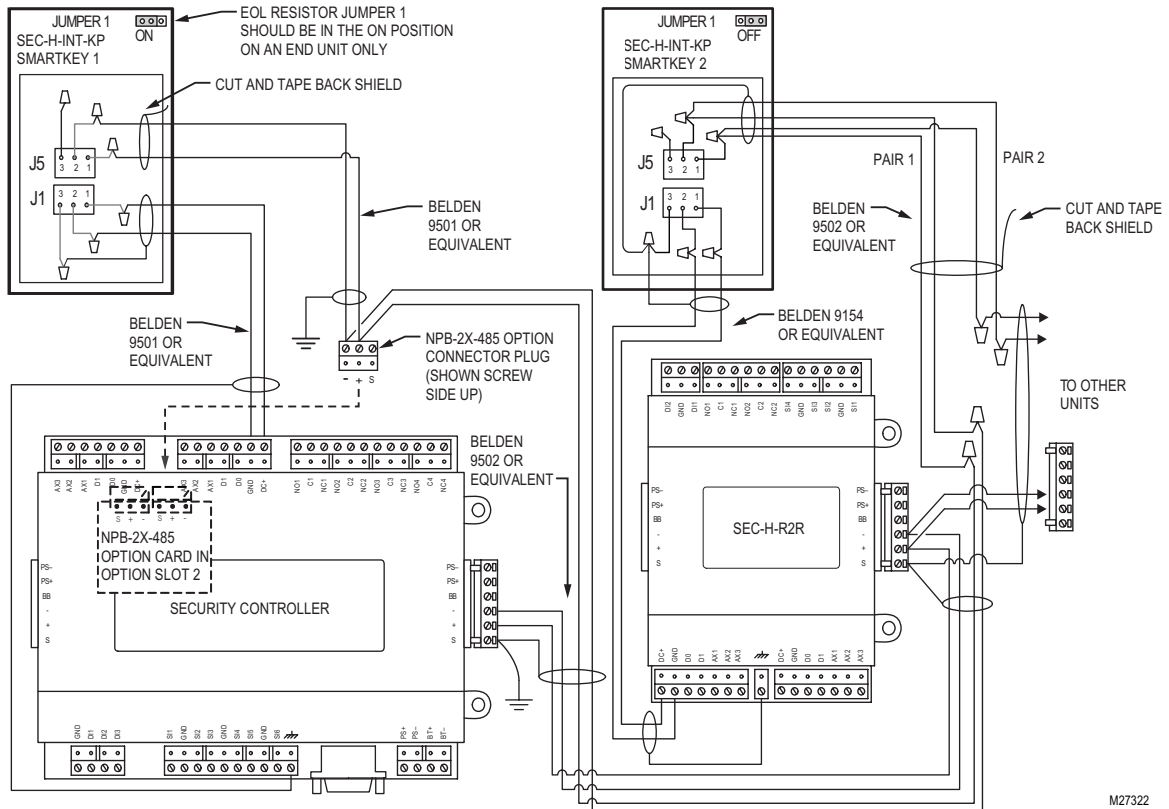


Fig. 4. Example wiring diagram for system with two SEC-H-INT-KP SmartKey units.

When done wiring, insert the SEC-H-INT-KP SmartKey onto its backplate and secure with the screw in the bottom of its case.

Wiring Checkout

After completing wiring terminations and restoring power to the security controller, the LCD display on the SEC-H-INT-KP SmartKey should display time, and keys should be backlit in blue. This verifies power to the SmartKey.

To verify RS-485 communications, refer to the WEBs AX Security User's Guide for setup procedures.

RELATED DOCUMENTATION

For more information on mounting and wiring a WEBs Security system, refer to the following documents:

- SEC-H-201 Security Controller Installation Guide, 95-7750
- SEC-H-600 Security Controller Installation Guide, 95-7759
- SEC-H-R2R Remote Reader Module Installation Guide, 95-7749
- SEC-H-RIO Remote I/O Installation Guide, 74-4060
- SEC-ENC-H-1 and SEC-ENC-H-2 Medium and Large Enclosure Installation Guide, 95-7747
- SEC-ENC-H-3 Small Enclosure Installation Guide, 95-7748

For details on software configuration for a fully functioning security system, refer to the following document:

- WEBs AX Security Controller User's Guide, 74-4062

By using this Honeywell literature, you agree that Honeywell will have no liability for any damages arising out of your use or modification to, the literature. You will defend and indemnify Honeywell, its affiliates and subsidiaries, from and against any liability, cost, or damages, including attorneys' fees, arising out of, or resulting from, any modification to the literature by you.

Automation and Control Solutions

Honeywell International Inc.
1985 Douglas Drive North
Golden Valley, MN 55422
customer.honeywell.com

Honeywell Limited-Honeywell Limitée
35 Dynamic Drive
Toronto, Ontario M1V 4Z9

