

- D Montageanweisung
- F Instructions d'Installation
- I Istruzioni per l'Installazione
- NL Installatievoorschrift
- DK Installationsinstruks
- N Installationsinstruktioner
- SF Asennusohje
- S Installations Instruktioner
- E Instrucciones de montaje

## ML6161E/6174E/6661E/6674E/ 7161E/7174E Non-Spring Return Direct Coupled Damper Actuator

### INSTALLATION INSTRUCTIONS

#### A

ASSEMBLY  
D EINBAU  
F MONTAGE  
I MONTAGGIO  
NL MONTAGE  
DK MONTERE  
N MONTERING  
FIN ASENTAMINEN  
S MONTERA  
E MONTAJE

M11233A

#### A1, A4

M11246

#### A2

M11235

#### A3

M11236

#### A5

M11237

#### A6

M20884

#### A7

M11238A

#### A8

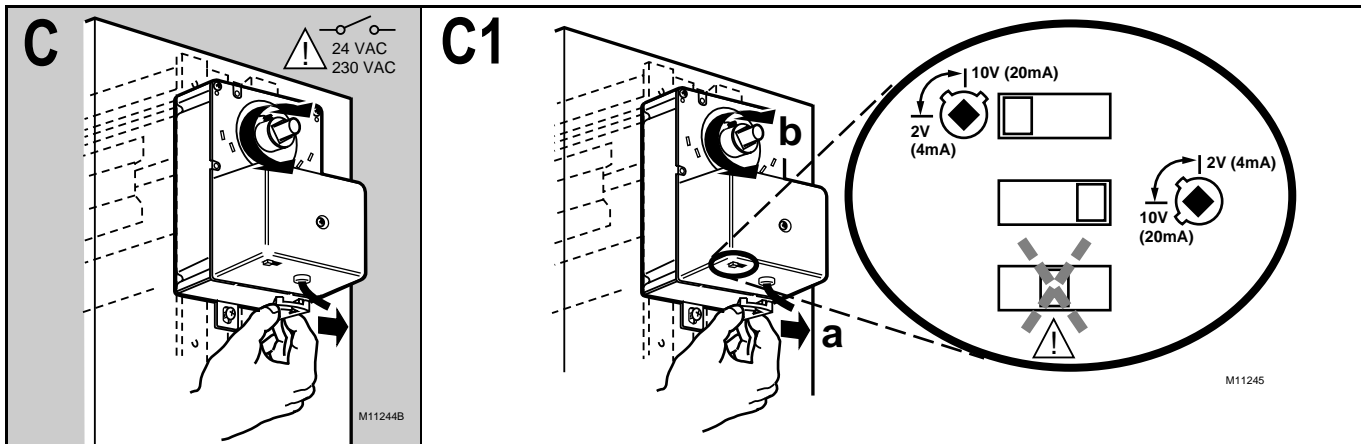
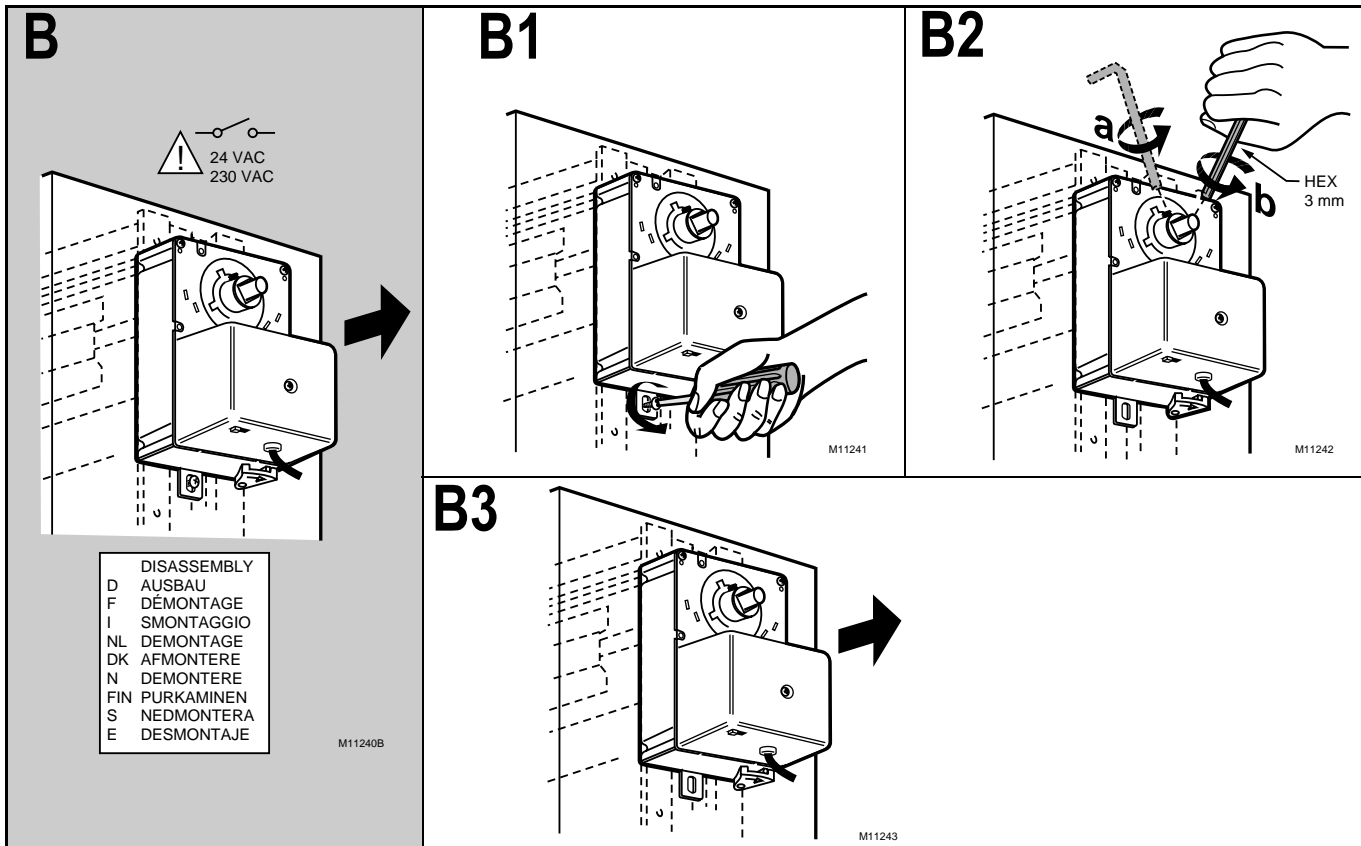
M11239A

#### A9

WHITE	D WEISS	F BLANC	I BIANCO	E BLANCO
GREEN	GRÜN	VERT	VERDE	VERDE
BROWN	BRAUN	BRUN	BRUNO	CAFE
YELLOW	GELB	JAUNE	GIALLO	AMARILLO
BLUE	BLAU	BLEU	AZZURRO	AZUL
BLACK	SCHWARZ	NOIR	NERO	NEGRO

M11234B





By using this Honeywell literature, you agree that Honeywell will have no liability for any damages arising out of your use or modification to, the literature. You will defend and indemnify Honeywell, its affiliates and subsidiaries, from and against any liability, cost, or damages, including attorneys' fees, arising out of, or resulting from, any modification to the literature by you.

**Honeywell**

Automation and Control Solutions  
Honeywell  
1985 Douglas Drive  
Golden Valley, MN 55422