

TP975A and B Diffuser Thermostat

Installation Instructions

Before Installation

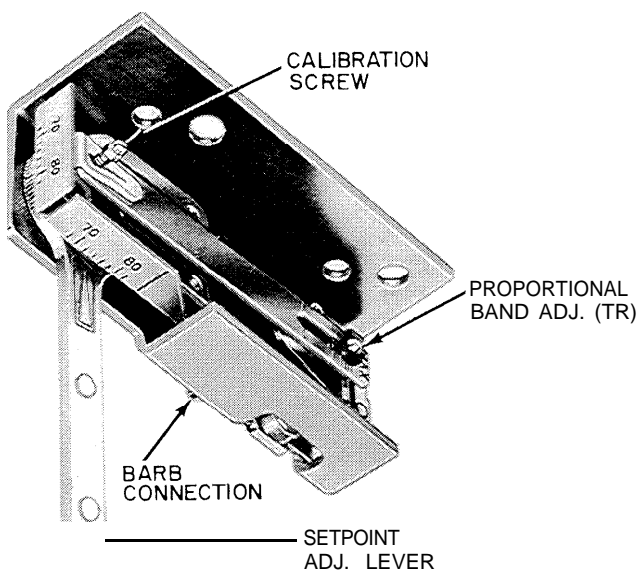
1. Install TP975A and B Diffuser Thermostat in accordance with job drawings.
2. Mount units with fixed minimum outdoor air dampers such that the thermostat does not see any outdoor air.

Installation

General

The TP975 Diffuser Thermostat is designed to provide proportional control for pneumatic valves and mixing boxes in heating or air conditioning systems. It is a one-pipe thermostat which mounts in one end of a slot or light troffer diffuser; or in a return air grille. Air connection is a sharp barb fitting for 5/32 plastic tubing. The TP975 is factory calibrated, however, field calibration is possible. The proportional band (TR) is adjustable from 2 to 10F.

The TP975A is direct acting while the TP975B is reverse acting. Normal main line pressure is 18 psig .



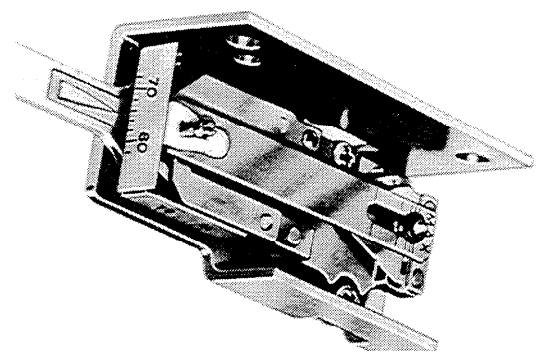
R974

Fig. 1. TP975 with Setpoint Lever in Vertical Position.

Mounting

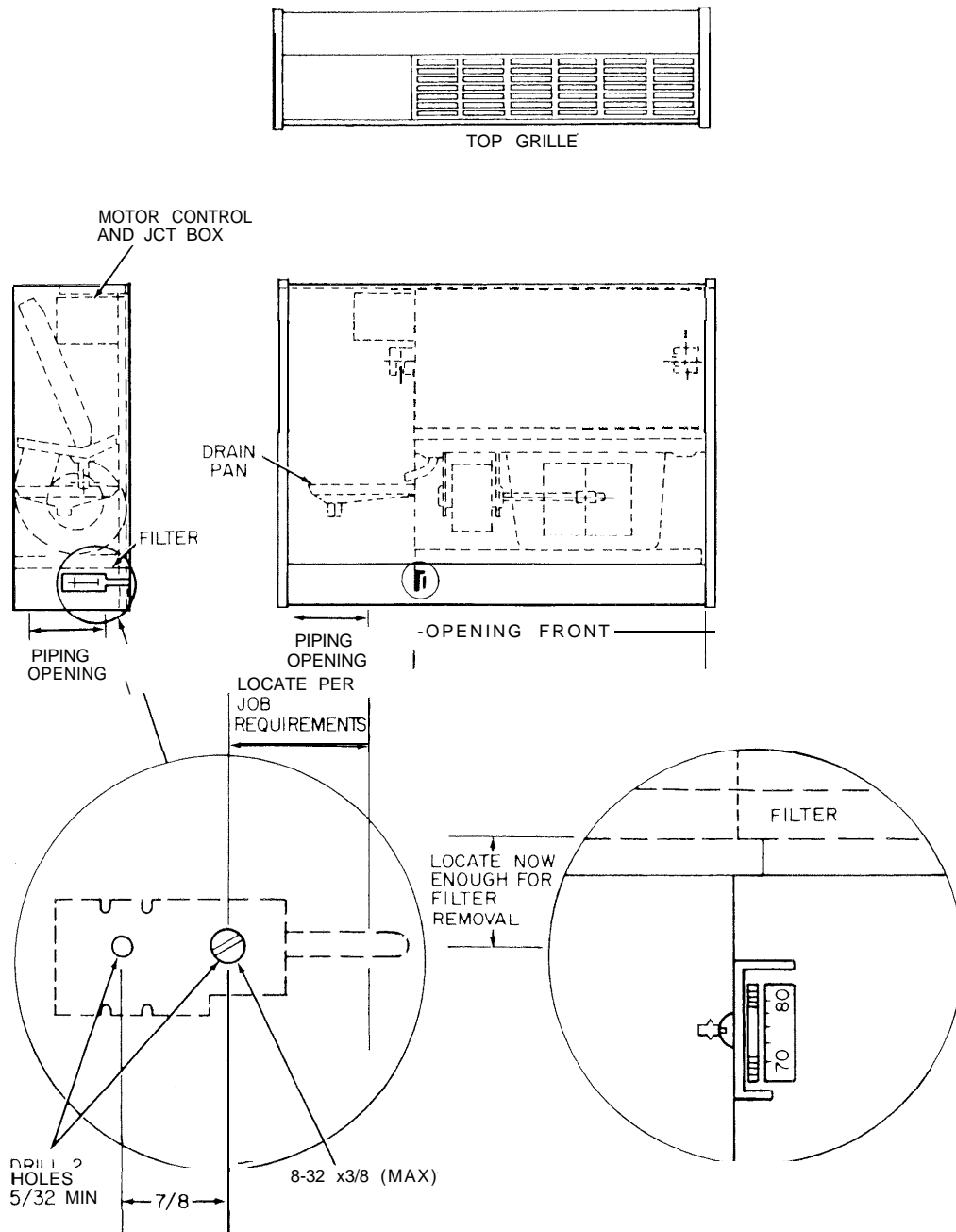
The thermostat can be mounted in a variety of positions in fan coil units, return air grilles (wall or ceiling) or in a plenum return. The setpoint lever of the TP975 can be rotated 90 degrees to line up in two different mounting planes,

NOTE: On fan coil units it is not recommended to apply a return air thermostat to a unit with a 100 percent outdoor air damper interference and the probability of reducing air flow across the thermostat.



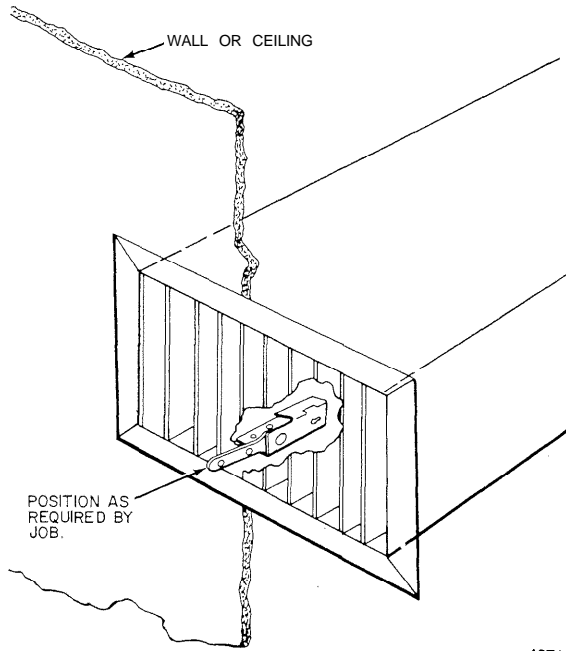
R973

Fig. 2, TP975 with Setpoint Lever in Horizontal Position.



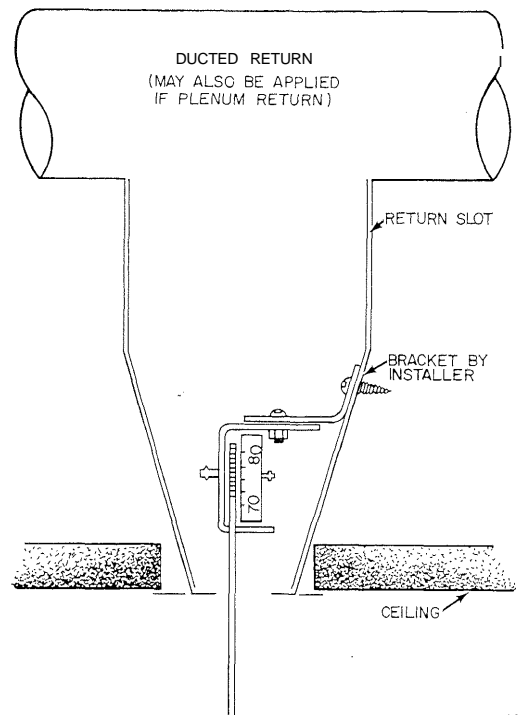
4070

Fig. 3. Mounting in a Typical Fan Coil Unit.



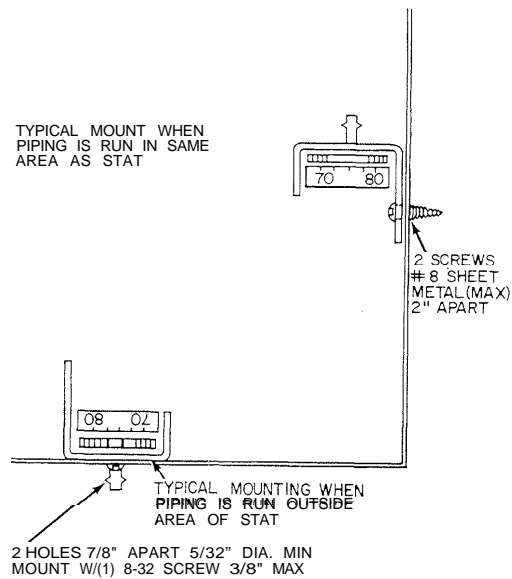
4071

Fig. 4. Mounting the TP975 in a Return Air Grille.



4072

Fig. 5. Mounting in a Ceiling Return Air Slot.



4073

Fig. 6. Typical Mounting.

Honeywell

Helping You Control Your World

Home and Building Control

Honeywell Inc.
Honeywell Plaza
P.O. Box 524
Minneapolis, MN 55408-0524

Home and Building Control

Honeywell Limited-Honeywell Limitée
740 Ellesmere Road
Scarborough, Ontario
M1P 2V9