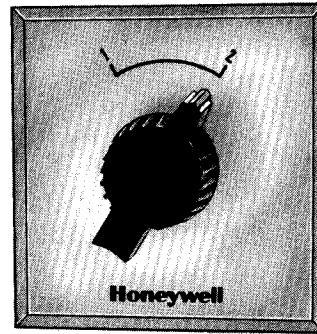


SP470A,B Pneumatic Switch



R828

GENERAL

SP470A and B Pneumatic Switches provide a means of manually diverting air between various system components such as valves, thermostats, and damper operators in pneumatic control systems.

FEATURES

- Available with two-position or three-position scaleplates.
- Mountable on a panel up to one inch (25 mm) thick.
- Complete with knob and scaleplate.

DESCRIPTION

SP470A and B Pneumatic Switches provide a means of manually diverting air between various components of pneumatic control systems.

SPECIFICATIONS

Models:

- SP470A: Pneumatic switch only.
- SP470B: Pneumatic switch mounted on a panel.

Dimensions:

See Figures 1 to 4.

Mounting:

SP470A: Normally mounted on panel up to 7/16 inch (11 mm) thick. Optional extension allows mounting on panel up to one inch (25 mm) thick. Can also be mounted in a standard electrical box.

SP470B: Panel mounted.

Operating Pressure Range:

0 to 18 psi (0 to 125 kPa).

Maximum Safe Air Pressure:

30 psi (205 kPa).

Air Capacity:

0.175 scfm at 1 psi drop (82.6 ml/s at 7 kPa drop).

Air Connections:

Push-on barbs for 5/32-in. (4 mm) O.D. plastic tubing.

Switching Action:

See Figure 5.

Environmental Operating Limits:

Temperature: 0 to 140F (-18 to 60C).

Humidity: 5 to 95% rh.

Construction:

Molded plastic switch body with Buna N seal disc.

Molded glass-reinforced nylon shaft.

Optional Accessories:

Extension 315677A for mounting on panels up to one inch (25 mm) thick.

Bracket assembly 316813A for mounting the switch in a standard electrical box (Raco 245 or equivalent).

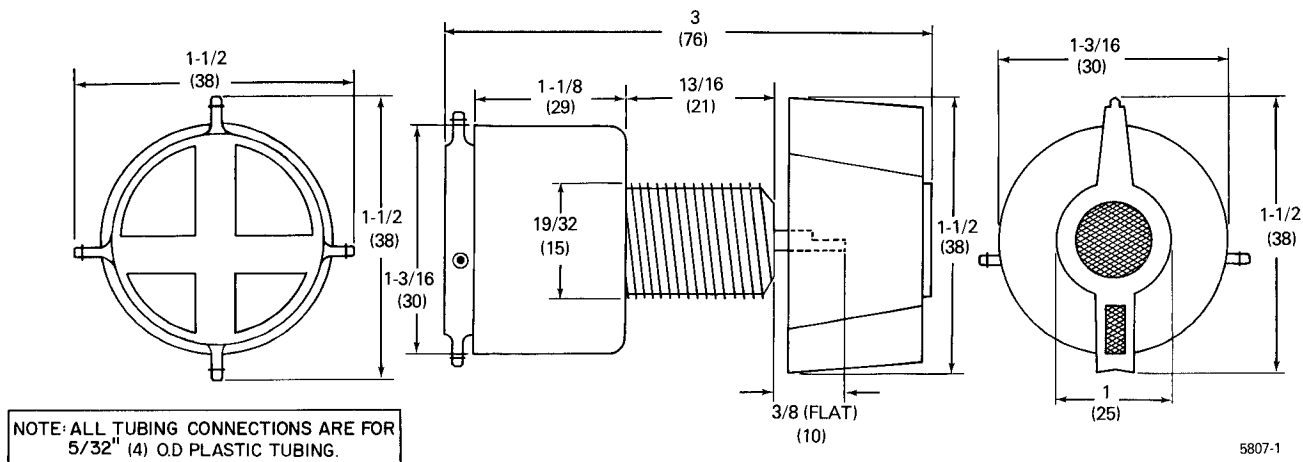


Fig. 1. Approximate Dimensions of Switch in Inches (Millimeters).

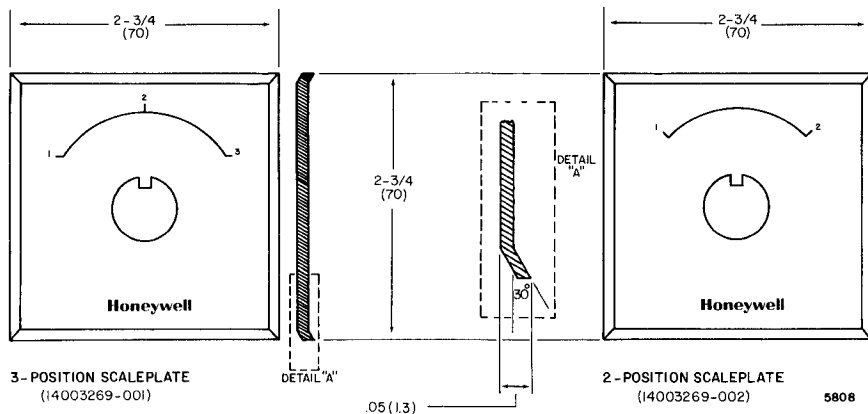


Fig. 2. Approximate Dimensions of Scaleplate in Inches (Millimeters).

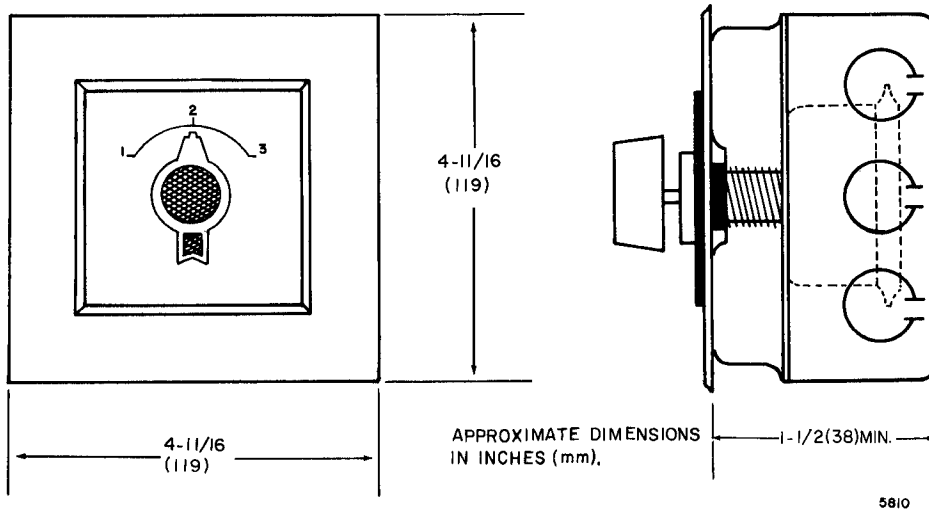


Fig. 3. Mounting in an Electrical Box Using Bracket Assembly Kit.

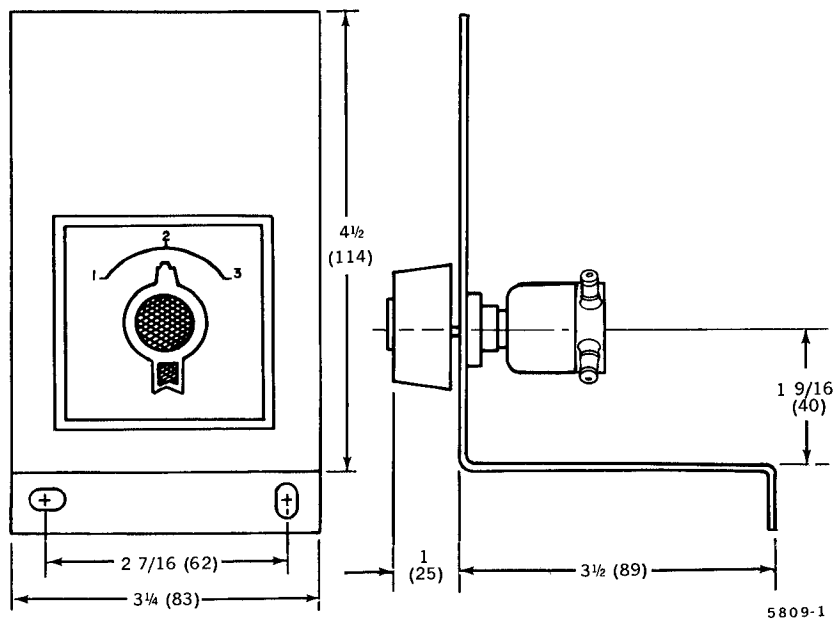


Fig. 4. SP470B Mounted on a Panel. Approximate Dimensions in Inches (Millimeters).

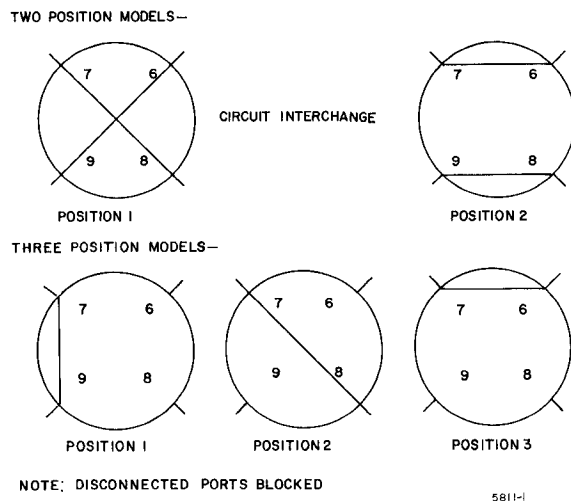


Fig. 5. Two- and Three-Position Switching Actions.

Honeywell

In the USA: Honeywell Plaza, Minneapolis, Minnesota 55408
In Canada: Scarborough, Ontario M1P 2V9
Subsidiaries and Affiliates Around the World

77-9844

Commercial Bldg. Group
MLF TAB: II. C. 5.

Printed in USA

Rev. 3-85
