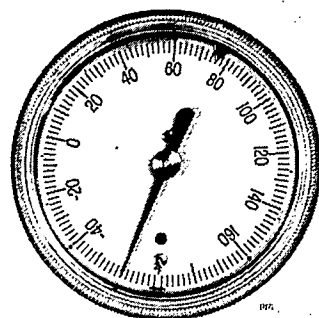


General

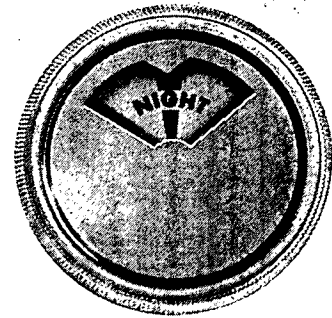
Honeywell gages are accurate instruments which provide continuous indication of various conditions in a pneumatic control system. Gages are factory, field, or Supervisory Data-Center panel mounted or back mounted.

The following four categories of gages are available:

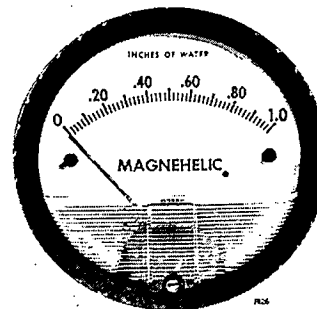
- Indication
- Receiver
- Target
- Low Differential Pressure



INDICATION
RECEIVER



TARGET



LOW DIFFERENTIAL PRESSURE

Application

INDICATION GAGES

Use indication gages wherever system pressure indication is required on 3 to 15 lb/in² (21 to 103 kPa) or 0 to 30 lb/in² (0 to 207 kPa) signals.

RECEIVER GAGES

Receiver gages provide indication of the sensor line equivalent analog value in a sensor/controller system.

TARGET GAGES

Target gages provide 2- or 3-position digital indication of a status change in a pneumatic control system.

LOW DIFFERENTIAL PRESSURE GAGES

Low differential pressure gages are used in factory fabrication of SDC (Supervisory DataCenter) and custom panels or may be field mounted (see Table 3). These gages have a high- and low-pressure tap and are used for measuring velocity, static, and differential pressures, either positive or negative.

Features

- High accuracy and dependability.
- Removable crystal on an indication and receiver gages permits recalibration of pointer.
- The "scanning" feature of the receiver gages allows adjustment of all gages on a panel so the indicator pointer is exactly vertical when indicating a value corresponding to the setpoint.
- Dead-set pointers may be affixed to the back side of the crystal of receiver gages to indicate setpoint or limits.
- Calibration marks provide a handy reference when setting up and calibrating a system.
- The low differential pressure gages are unaffected by over range pressure surges and vibration, and require no maintenance.

Specifications

INDICATION GAGES

MOUNTING

Surface or stem-mounted.

CONNECTIONS

1/8 NPT male or 1/4 in. O.D. plastic tubing.

FINISH

Corrosion resistant paint.

COLOR

White face, black numerals.

MAXIMUM SAFE PRESSURE

25 lb/in² (175 kPa).

DIMENSIONS

See Figure 1.

MODELS

See Table I.

WHEN ORDERING, SPECIFY:

1. Part Number
2. RP908 Scale Number, if needed.

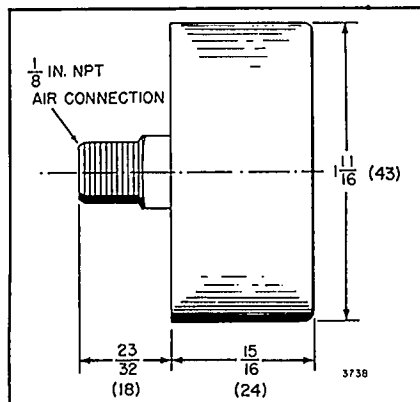


FIG. 1. INDICATION GAGE APPROXIMATE DIMENSIONS IN INCHES (MILLIMETERS)

RECEIVER GAGES

MODELS

See Table 1.

PRESSURE RANGE

3 to 15 lb/in² (21 to 103 kPa) for full scale deflection.

MAXIMUM SAFE PRESSURE

25 lb/in² (172 kPa)

SCALEPLATE

White face, black numerals, calibration marks at 3, 9 and 15 lb/in² (21, 62 and 103 kPa).

TEMPERATURE STABILITY

Pressure element changes less than 0.5% of indicated value over a temperature range of 140 F (60 C)

POINTER

Aluminum, black finish with fine knife edge to avoid parallax error.

CONNECTION

Barbed tubing connection for 1/4 in. (6 mm) plastic tubing.

CALIBRATION

Gages may be field calibrated by holding knurled head at pointer shaft and moving the pointer.

DIMENSIONS

See Figures 2 and 3.

WHEN ORDERING, SPECIFY:

1. Part Number, including suffix letter shown in Table I.
2. RP908 scale number, if needed.

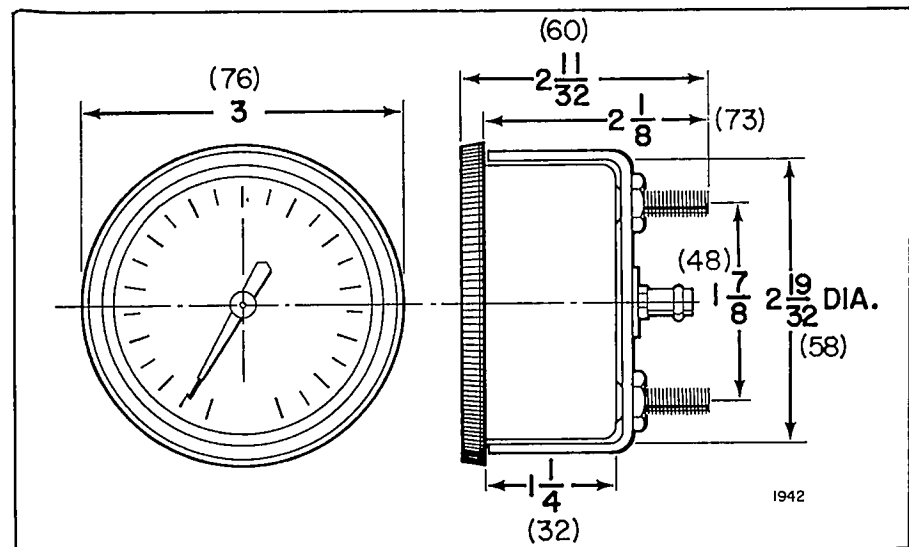


FIG. 2. 2-1/2 IN. (64 MM) DIAL RECEIVER GAGE APPROXIMATE DIMENSIONS IN INCHES (MILLIMETERS)

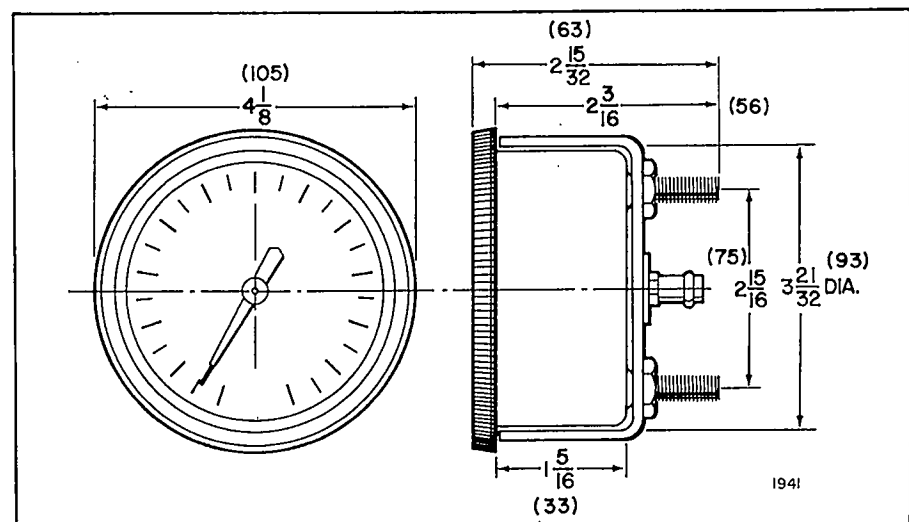


FIG. 3. 3-1/2 IN. (89 MM) DIAL RECEIVER GAGE APPROXIMATE DIMENSIONS IN INCHES (MILLIMETERS)

Table 1. Indication and Receiver Gages

	Range	RP908 Scales	Indication 1-1/2 in. (38 mm) Dial Back Conn. 1/8 in. NPT	Receiver		
				2-1/2 in. (64 mm) Dial Panel Mtd. No. 804073	3-1/2 in. (89 mm) Dial Panel Mtd. No. 804069	3-1/2 in. (89 mm) Dial Panel Mtd. No. 804071
Fahrenheit	150 to 500	----	----	E	E	E
	50 to 100	315993A	305972	D	D	D
	40 to 240	315993A	305931	C	C	C
	25 to 125	315993A	1400786-001	AP	AP	AP
	0 to 800	----	----	F	F	F
	0 to 200	315993A	305930	B	B	B
	-20 to 80	315993A	305986	AC	AC	AC
	-40 to 160	315993A	305929	A	A	A
Centigrade	10 to 38	315993A	305973	W	W	W
	5 to 116	315993A	305934	V	V	V
	-5 to 55	315993A	14000786-002	AR	AR	AR
	-18 to 93	315993A	305933	U	U	U
	-29 to 27	315993A	305987	AD	AD	AD
	-40 to 71	315993A	305932	T	T	T
Inches H ₂ O	-1 to 1	316005, DA	305615	---	---	---
	0 to 2	316006, RA	305616	H	H	H
	1 to 3		305617	J	J	J
	2 to 4		305618	K	K	K
	3 to 5	316005, DA	305619	L	L	L
	4 to 6	316006, RA	305620	M	M	M
	0 to 5	----	----	N	N	N
	0 to 10	----	----	P	P	P
Millimeters H ₂ O	-25 to 25	316089, DA	305621	---	---	---
	0 to 50.8	316090, RA	305622	AE	AE	AE
	25.4 to 76.2		305623	AF	AF	AF
	50.8 to 101.6		305624	AG	AG	AG
	76.2 to 127	316089, DA	305625	AH	AH	AH
	101.6 to 152.4	316090, RA	305626	AJ	AJ	AJ
	0 to 127	----	----	AK	AK	AK
	0 to 254	----	----	AL	AL	AL
lb/in ²	0 to 50	----	----	S	S	S
	0 to 30	----	305909	---	---	---
	0 to 20	315993A	----	R	R	R
Kg/Cm ²	0 to 2	315993A	----	---	---	
Percent RH	65 to 95	315993A	14000786-004	AT	AT	AT
	55 to 95	----	----	AA	AA	AA
	35 to 75	----	----	Z	Z	Z
	15 to 75	315993A	14000786-003	AS	AS	AS
	15 to 85	----	14000786-005	AU	---	AU
	15 to 50	----	----	Y	Y	Y
Fahrenheit DP	40 to 75	316193	305988	AM	---	AM
Centigrade DP	5 to 25	316193	305989	---	---	---
Percent	0 to 100	----	----	AN	---	AN
	WARMER- COOLER	315993A	----	---	---	---

TARGET GAGES

MODELS

See Table 2.

DIMENSIONS

See Figure 4.

MAXIMUM SAFE PRESSURE

25 lb/in² (175 kPa).

GAGE ACCURACY

±2%.

DEGREES TRAVEL

270 degrees.

MOUNTING

Flush.

CONNECTIONS

Barbed tubing connection for 1/4 inch (6 mm) O.D. plastic tubing.

WHEN ORDERING, SPECIFY:

Part Number.

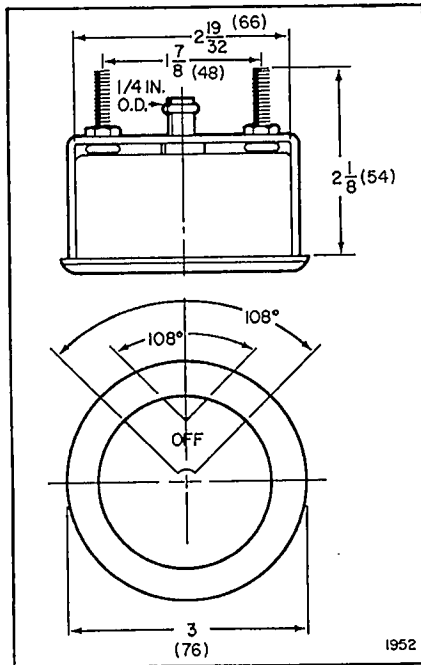


FIG. 4. TARGET GAGE APPROXIMATE DIMENSIONS IN INCHES (MILLIMETERS)

Table 2. Target Gage Specifications

Number	Indication	Range lb/in ² *	Gage Calibration in lb/in ² *		
317086A	OFF-ON	0-18	0-9 -green "OFF" on white field -centered at 3	9-18 -white "ON" on green field -centered at 15	
317086B	HIGH-ALARM	0-18	0-9 -white field.	9-18 -white "HIGH" on red field -centered at 18	
317086C	LOW-ALARM	0-20	0-9 -white "LOW" on red field -centered at 1.5	9-20 -white field.	
317086D	HIGH & LOW ALARM	0-19.5	0-3 -white "LOW" on red field -centered at 1.5	3-13 -white field.	13-19.5 -white "HIGH" on red field -centered at 18
317086E	DAY-NIGHT	12.5-18.5	12.5-13.5 -black "DAY" with white segment -centered at 13	17.5-18.5 -black "NIGHT" with black segment -centered at 18	
317086F	SUMMER-WINTER	12.5-18.5	12.5-13.5 -black "SUMMER" with green segment -centered at 13	17.5-18.5 -black "WINTER" with white segment -centered at 18	
317086G	DAY-NIGHT	0-20	0-9 -black "DAY" on white field -centered at 3	9-20 -white "NIGHT" on black field -centered at 18	
317086H	SUMMER-WINTER	0-20	0-9 -black "SUMMER" on green field -centered at 3	9-20 psi -black "WINTER" on white field -centered at 18	
317086J	OPEN-CLOSED	0-20	0-9 -green "OPEN" on white field -centered at 3	9-20 -white "CLOSED" on green field -centered at 18	
317086K	DAY-WARM UP-NIGHT	0-22.5	0-14.5 -black "DAY" with white segment -centered at 13	14.5-18.5 -black "WARM UP" with red segment -centered at 16	18.5-22.5 -black "NIGHT" with black segment -centered at 21
317086L	OCCUPIED-UNOCCUPIED	0-18	0-9 -black "OCCUPIED" with white segment -centered at 3	9-18 -white "UNOCCUPIED" with black segment -centered at 15	
317086M	WINTER-SUMMER	0-18	0-9 -black "WINTER" with white segment -centered at 3	9-18 -white "SUMMER" with green segment -centered at 15	
317086N	CLOSED-OPEN	0-18	0-9 -white "CLOSED" with green segment -centered at 3	9-18 -green "OPEN" with white segment -centered at 15	
317086P	ON-OFF	0-18	0-9 -green "OPEN" with green segment -centered at 3	9-18 -green "OFF" with white segment -centered at 15	
317086R	CLOSED-MODULATING-OPEN	0-18	0-13 -white "CLOSED" letters in vertical plane with green segment -centered at 1.5	3-13 -white "MODULATING" with green segment -centered at 8	13-18 -black "OPEN" with white segment -centered at 17

*For metric conversion multiply by 6.8948.

LOW DIFFERENTIAL PRESSURE GAGES

MANUFACTURER:

F. W. Dwyer Mfg. Co.

GAGE CONNECTIONS

1/8 in. straight pipe thread high and low pressure taps, duplicated, one pair side and one pair back.

DIMENSIONS

4 in. (102 mm) gage, 4-3/4 in. (121 mm) over-all.

MOUNTING

Flush.

MAXIMUM PRESSURE RATING

Sustained or highly repetitive pressure 15 lb/in² (103 kPa).

AMBIENT TEMPERATURE RANGE

30 to 140 F (1 to 60 C).

RANGE

See Table 3.

MODELS

See Table 3.

WHEN ORDERING, SPECIFY:

Model number.

Table 3. Low Differential Pressure Gage Model Numbers Showing Range.

Scale Range In. of Water	Honeywell Model Number		F. W. Dwyer Model Number
	Factory Mounted	Field Mounted	
0 to .50	802631A	DWY2000-0	2000-0
0 to 1.0	802631B ¹	DWY2001 ¹	2001 ¹
0 to 2.0	802631C ²	DWY2002 ²	2002 ²
0 to 4.0	802631D	DWY2004	2004
0 to 8.0	802631E	DWY2008	2008
0 to 15.0	802631F	DWY2015	2015
0 to 30.0	802631G	DWY2030	2030
-.50 to 0 to +.50	802631H	DWY2301	2301
-1 to 0 to +1	802631J	DWY2302	2302
-2 to 0 to +2	802631K	DWY2304	2304
-5 to 0 to +5	802631L	DWY2310	2310
-10 to 0 to +10	802631M	DWY2320	2320
0 to 3.0	802631N	DWY2003	2003
0 to 5.0	802631P	DWY2005	2005
0 to 6.0	802631R	DWY2006	2006
0 to 10.0	802631S	DWY2010	2010
0 to 20.0	802631T	DWY2020	2020
0 to 25.0	802631U	DWY2025	2025
0 to 2.0	---	DWY452-AF ³	452-AF ³
0 to .50	---	DWY50000 ⁴	5000-0 ³

¹ Adjustable signal flag optional feature.

² Chrome bezel optional feature.

³ Inclined air filter gage.

⁴ Minihelic gage.