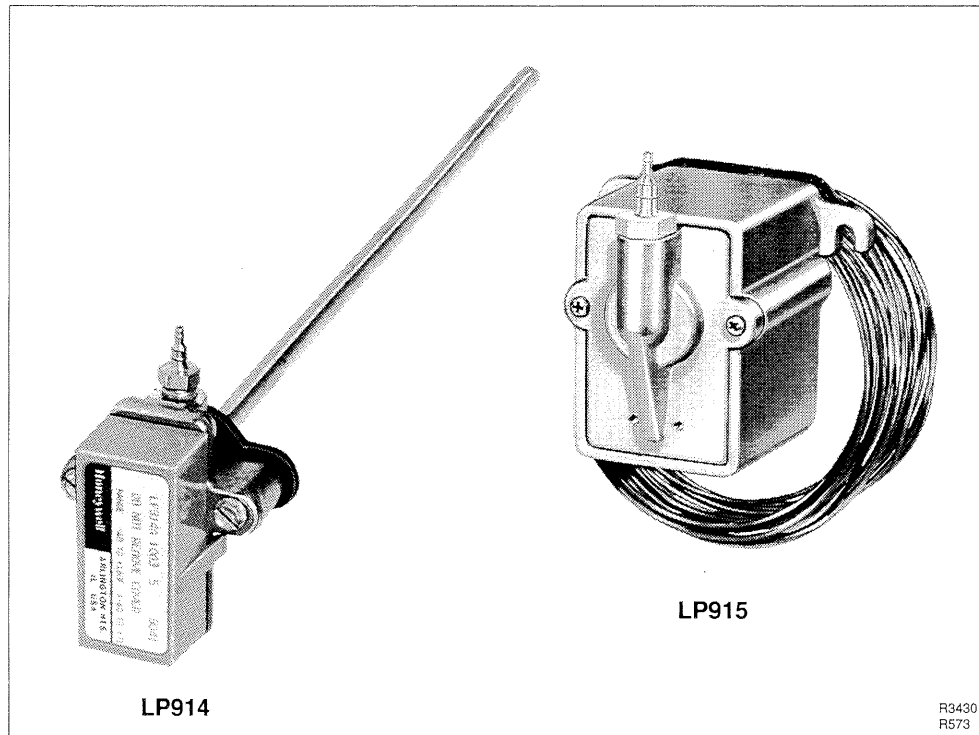


LP914A and LP915A Pneumatic Temperature Sensors



General

The LP914A and LP915A Pneumatic Temperature Sensors are proportional-type temperature sensors used with a pneumatic controller for control of pneumatic valves and damper actuators in fanroom applications. The LP915A is a duct-mounted, liquid-filled, averaging type sensor. The rod and tube insertion element of the LP914A can be duct-, well-, or through-the-wall-mounted.

Features

- May be used with a calibrated gage for continuous temperature indication

Description

The LP914A and LP915A Pneumatic Temperature Sensors are proportional-type temperature sensors used with a pneumatic controller for control of pneumatic valves and damper actuators in fanroom applications. The LP915A is a duct-mounted, liquid-filled, averaging type sensor. The rod and tube insertion element of the LP914A can be duct-, well-, or through-the-wall-mounted.

Specifications

Models:

- LP914A: Insertion element, direct acting
- LP915A: Averaging element, direct acting

Sensing Range:

Nonadjustable

LP914A	LP915A
-40 to +160F (-40 to +71C)	0 to 200F
+40 to +240F (+4 to +115C)	(-18 to +93C)
-20 to +80F (-29 to +27C)	25 to 125F
+25 to +125F (-4 to +52C)	(-4 to +52C)

Maximum Safe Temperature at the Element:

LP914A: 265F (129C)
LP915A: 225F (107C)

Supply Air Pressure:

18 psi (124 kPa) nominal

Maximum Safe Air Pressure:

25 psi (172 kPa)

Pressure Output:

3 to 15 psi (21 to 103 kPa)

Air Consumption:

0.019 scfm (540 sccm)

Air Connections:

Push-on combination barb connector for 5/32-in. (4-mm) and 1/4-in. (6-mm) O.D. tubing

Mounting:

LP914A: Duct mounted, or through-the-wall (maximum 12 in. [305 mm] thick) mounted
LP915A: Duct mounted

Element (Type and Size):

LP914A: Rod and tube, 7 in. (178 mm) and 15 in. (381 mm) lengths for water and air
LP915A: Liquid filled, 8 ft 10 in. (2.7m) or 18 ft 6 in. (5.6m) averaging

Finish:

LP914A: Gray styrene plastic cover, nonremovable
LP915A: Brass forging

Accessories Available:

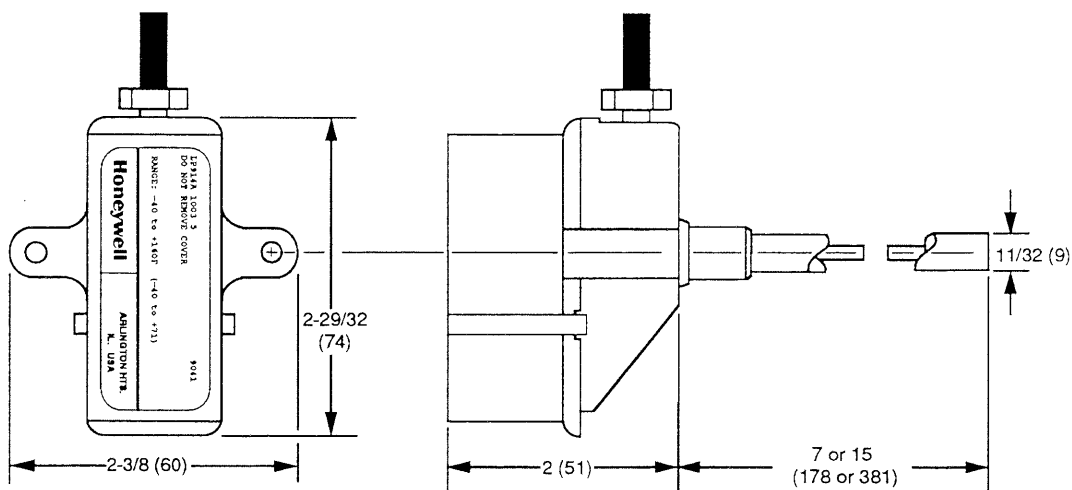
Wells for LP914A:

- Copper
 - 315046A for 15-in. (381 mm) element
 - 315046B for 6-1/2-in. (165 mm) element
- Stainless Steel
 - 315904A for 15-in. (381 mm) element
 - 315904B for 6-1/2-in. (165 mm) element

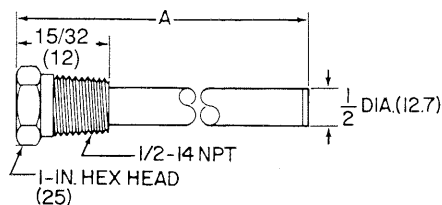
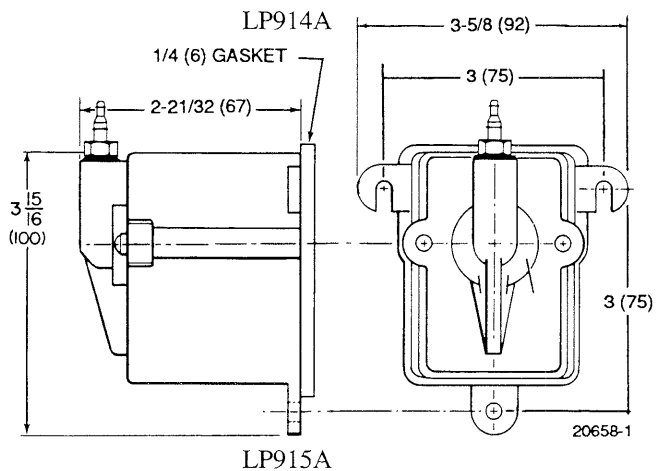
LP915A

- 314439 Averaging element clip
- 311085-00107 Sunshade for LP914A Through-the-wall mounting model

Dimensions In Inches (Millimeters):



C4900



By using this Honeywell literature, you agree that Honeywell will have no liability for any damages arising out of your use or modification to, the literature. You will defend and indemnify Honeywell, its affiliates and subsidiaries, from and against any liability, cost, or damages, including attorneys' fees, arising out of, or resulting from, any modification to the literature by you.

- A Dimension
 Copper:
 315046A 15-15/32 in. (393 mm)
 315046B 7-15/32 in. (190 mm)
 Stainless Steel:
 315904A 15-13/32 in. (391 mm)
 315904B 7-13/32 in. (188 mm)

164-2

LP914A Wells