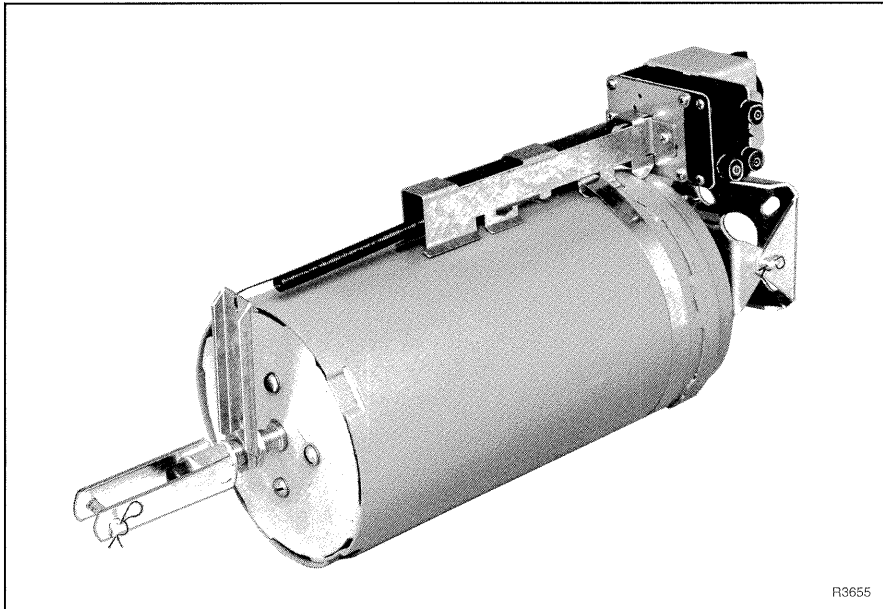


## MP920B Pneumatic Actuator

### SPECIFICATION DATA



### FEATURES

- Rolling diaphragm operated
- Fail safe on over pressure
- Actuator can be swivel mounted from either end to pipe, floor, or wall surface
- Optional positive positioner provides accurate positioning under varying load conditions

### GENERAL

MP920B Pneumatic Actuators are suitable for fan inlet vane control applications in a VAV system.

## DESCRIPTION

MP920B Pneumatic Actuators are suitable for fan inlet vane control applications in a VAV system.

## SPECIFICATIONS

### Models:

- MP920B: Operator only  
See ACCESSORIES for Positioner

### Maximum Safe Air Pressure:

29 psi (200 kPa)

### Stroke:

6 in. (150 mm)

### Effective Area:

24.8 in.<sup>2</sup> (160 cm<sup>2</sup>)

### Spring Range:

MP920B: 7-1/4 to 13 psi (50 to 90 kPa)

### Positioner Input Span:

10 psi (70 kPa)

### Net Force Exerted:

For fan inlet vane applications only:  
With 0 psi applied: 173 lb force (770 N) available to close fan inlet vanes  
With 20 psi (138 kPa) applied: 298 lb force (1326 N) available to open fully closed fan inlet vanes; 173 lb force (770 N) with shaft fully extended

### Ambient Temperature Range:

-20 to 158F (-30 to 70C)

### Diaphragm:

Neoprene, rolling type

### Housing:

Grey enamel finish on steel body

### Shipping Weight:

Operator: 13-1/4 lb. (6.0 kg)  
Positioner Kit: 2-1/8 lb. (1 kg)

### Shaft End Connection:

9/16 in.-18 UNF male with 3/8 in.-16 UNC female

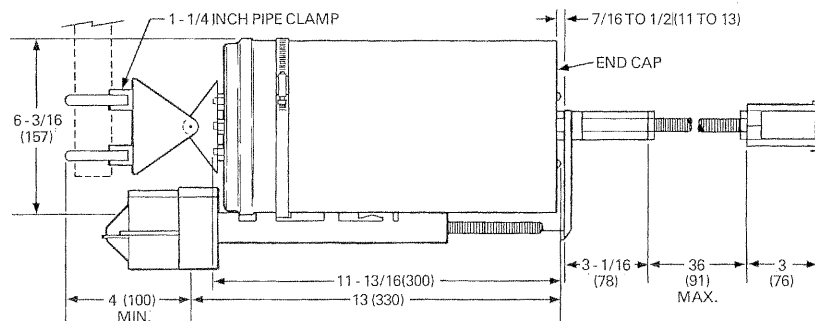
### Air Connection:

MP920B: 1/4 in. (6 mm) push-on barb  
Positioner:  
5/32 in. (4 mm) push-on barb (pilot)  
1/4 in. (6 mm) push-on barb (main and branch)

### Accessories

- 14004345-001 Positive Positioner Kit
- AK3556 Pipe Mounting Bag Assembly, for 1-1/4 in. pipe
- AK3557 Short Clevis Bag Assembly, for 3/8 in.-16 threaded rod
- AK3558 Swivel Bracket Bag Assembly
- AK3559 Long Clevis Bag Assembly with actuator shaft coupling for 5/8 in.-11 threaded rod
- AK3560 Ball joint, 3/8 in.-24 threaded stud with couplings for 5/8 in.-11 threaded rod and actuator shaft
- AK3561 Ball joint, 3/8 in.-24 threaded stud with couplings for 3/8 in.-16 threaded rod
- 14004368-002 Bracket Assembly

### Dimensions In Inches (Millimeters):



S 21058

By using this Honeywell literature, you agree that Honeywell will have no liability for any damages arising out of your use or modification to, the literature. You will defend and indemnify Honeywell, its affiliates and subsidiaries, from and against any liability, cost, or damages, including attorneys' fees, arising out of, or resulting from, any modification to the literature by you.

### Home and Building Control

Honeywell Inc.  
Honeywell Plaza  
P.O. Box 524  
Minneapolis MN 55408-0524

### Honeywell Latin American Division

Miami Lakes Headquarters  
14505 Commerce Way Suite 500  
Miami Lakes FL 33016

### Home and Building Control

Honeywell Limited-Honeywell Limitée  
740 Ellesmere Road  
Scarborough Ontario

### Honeywell Europe S.A.

3 Avenue du Bourget  
B-1140 Brussels Belgium

### Honeywell Asia Pacific Inc.

Room 3213-3225  
Sun Hung kai Centre  
No. 30 Harbour Road  
Wanchai  
Hong Kong

**Honeywell**

Helping You Control Your World

