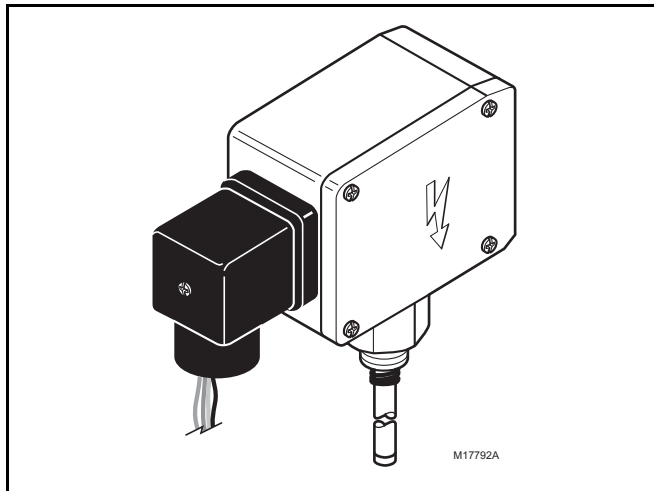


32004925-001 Closed Position Indicator Switch for V4295A and V4297A Valves

INSTALLATION INSTRUCTIONS



APPLICATION

The 32004925-001 Closed Position Indicator Switch is used only with Honeywell V4295A Valves, 1-inch to 2-inch, 5 psi version, and V4297A Solenoid Safety Shutoff Valves (SSOV) to indicate the closed position of the valve.

SPECIFICATIONS

Model: 32004295-001

Ambient Temperature Range: -40°F to +130°F (-40°C to +50°C) when mounted on a V4295A or V4297A.

Enclosure Rating: NEMA 4 (NEMA 1 when mounted on a V4297A).

Contact Rating: 100 mA at 120 Vac, 50/60 Hz.

Approvals:

Canadian Standards Association (CSA) File No. 1154280.
The 32004295-001 Indicator Switch meets the requirements of application codes, such as NFPA, that require electrical indication of the valve-closed position. However, it does not meet proof of valve closure (POC) as defined by FM and other similar standards.

INSTALLATION

When Installing This Product...

1. Read these instructions carefully. Failure to follow them could damage the product or cause a hazardous condition.
2. Check the ratings given in the instructions and on the product to make sure the product is suitable for your application.
3. Installer must be a trained, experienced, flame safeguard technician.
4. After the installation is complete, check out product operation as provided in these instructions.




WARNING

Fire or Explosion Hazard.

Can cause serious injury, death or property damage.

1. Make sure gas is turned off before starting installation.
2. Perform the gas valve leak test any time work is done on a gas system.

Refer to Fig. 1 to aid in the installation of the Indicator Switch.

1. Use a 1/4 in. (6 mm) hex wrench to remove the plug and O-ring from the top of the valve.
2. If used with the V4297A1013 high capacity valve, assemble the stem extension to the 32004295-001 Closed Position Indicator Switch by turning the end of the stem extension clockwise . Tighten securely.

NOTE: Stem extension is packed in a bag with the indicator.

3. Insert the 32004295-001 Closed Position Indicator Switch and O-ring in place of the plug.
4. Tighten the Indicator Switch, using a 13/16 in. (20 mm) open end or box end wrench, until metal-to-metal contact is established between the indicator switch body and the top of the valve.



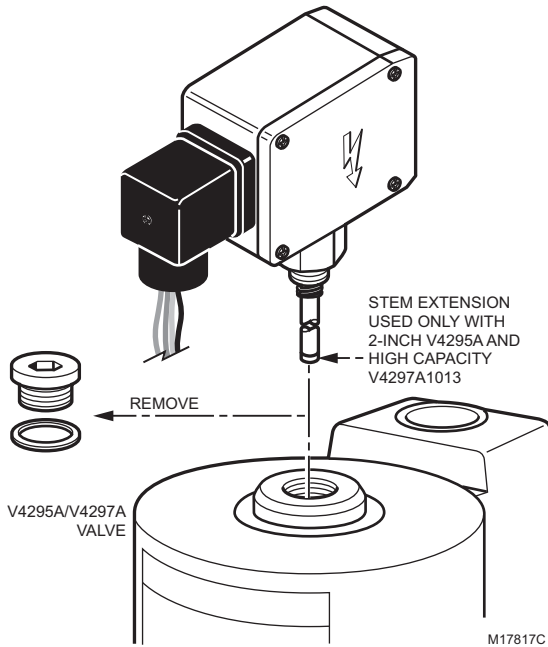
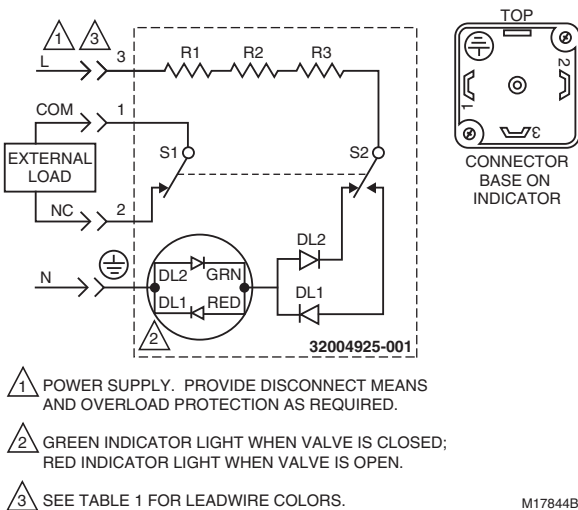


Fig. 1. Installing the 32004925-001 Closed Position Indicator Switch on the V4295A/ V4297A Valve.

Wiring

A typical wiring diagram is shown in Fig. 2.



- 1 POWER SUPPLY. PROVIDE DISCONNECT MEANS AND OVERLOAD PROTECTION AS REQUIRED.
- 2 GREEN INDICATOR LIGHT WHEN VALVE IS CLOSED; RED INDICATOR LIGHT WHEN VALVE IS OPEN.
- 3 SEE TABLE 1 FOR LEADWIRE COLORS.

Fig. 2. Typical wiring diagram for 32004925-001 Closed Position Indicator Switch.

Table 1. 32004925-001 Closed position indicator switch lead-wire color.

	Before Product Date Code 1132	Product Date Code 1132 and Later
Terminal #1	blue	yellow
Terminal #2	blue	black
Terminal #3	black	blue
Terminal Ground	white	green

OPERATION AND CHECKOUT

Operation

When the valve closes, the 32004925-001 Closed Position Indicator Switch also closes and provides a circuit path (terminals 1 and 2, Fig. 2) to the applicable valve position indicating device. An indicator light behind the clear window in the switch cover lights when 120 Vac is applied across the black and white leadwires (terminals 3 and \ominus). A green indicator light means the valve is closed; a red indicator light means the valve is open.

Checkout

⚠ WARNING

Fire or Explosion Hazard.

Can cause serious injury, death or property damage.

1. Do not put the system into service until you have satisfactorily completed the following valve leak test, all applicable safety tests described in the Checkout section of the instructions for the flame safeguard control, and any other safety tests required by the burner manufacturer.
2. All tests must be performed by a trained, experienced, flame safeguard technician.
3. Close all manual fuel shutoff valves immediately if trouble occurs.

After the installation is complete, cycle the valve several times with the manual fuel shutoff cock closed. Make sure the valve and indicator are working properly. Perform the following leak test before putting the valve into service:

1. Close the downstream manual gas cock. Energize the valve through the safety system.
2. Test with rich soap and water solution to make sure there is no leak between the indicator switch and the valve coil.
3. Open the downstream manual gas cock.
4. Restore the system to operation.

Automation and Control Solutions

Honeywell International Inc.
1985 Douglas Drive North
Golden Valley, MN 55422
customer.honeywell.com

Honeywell