

7800 SERIES 203968A 13 Vdc Power Supply

PRODUCT DATA



FEATURES

- Direct plug-in convenience.
- Three-conductor grounded connector.

APPLICATION

The 203968A 13 Vdc Power Supply provides 13 Vdc power for remote mounting of the 7800 SERIES S7800 Keyboard Display Module. The 203968A is a plug-in unit for use with standard 120 Vac outlets. Up to two Keyboard Display Modules can be powered by one 203968A 13 Vdc Power Supply.

SPECIFICATIONS

APPROXIMATE DIMENSIONS

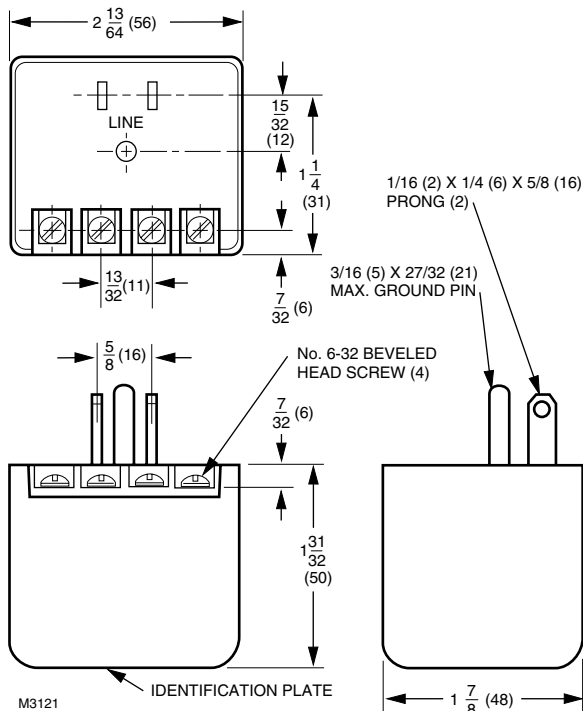


Fig. 1. Approximate dimensions of 203968A Power Supply in in. (mm).

OPERATING TEMPERATURE RANGE

+32° F to +104° F (0° C to +40° C).

ELECTRICAL CHARACTERISTICS

Input: 120 Vac nominal, 60 Hz, 350 mA.

Output: 13 Vdc.

Dielectric Strength: 1500V rms, 1 minute.

APPROVAL BODIES

Underwriters' Laboratories Inc. listed, No. 38H3 (203968A).

⚠ WARNING

Electrical Shock Hazard.

Can cause serious injury or death and damage equipment.

Disconnect power supply or turn off power source before making wiring connections. More than one disconnect may be involved.

IMPORTANT

All wiring must agree with local codes and ordinances.



INSTALLATION

Select a location convenient to both a 120 Vac plug-in socket and the Keyboard Display Module.

WIRING

Using 18 AWG wire, connect +13 Vdc from the 203968A13 Vdc Power Supply to the power input connector (4/+13 Vdc) on the Keyboard Display Module and COM to the common or 3(c) connector on the Keyboard Display Module. Connect GND to earth ground. Plug the 203968 into the 120 Vac outlet and restore the power. See Figure 2.

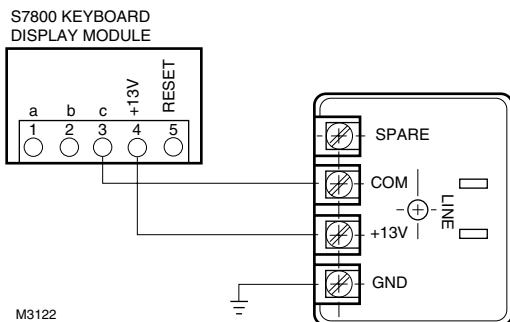


Fig. 2. Power Supply Wiring Connections.

Home and Building Control

Honeywell
1985 Douglas Drive North
Minneapolis MN 55422-4386

Home and Building Control

Honeywell Limited/Honeywell Limitée
35 Dynamic Drive
Scarborough, Ontario
M1V 4Z9

Honeywell Asia Pacific Inc.

Room 3213-3225
Sun Hung Kai Centre
No. 30 Harbour Road
Wanchai
Hong Kong

Honeywell Latin American Region

480 Sawgrass Corporate Parkway
Suite 200
Sunrise FL 33325

Honeywell Europe S.A.

3 Avenue du Bourget
1140 Brussels
Belgium

Honeywell

