

# SmartVFD Frame 6 Wiring Diagrams and Dimensional Drawings

**SPECIFICATION DATA**

SmartVFD Frame Size 6  
460 Vac: 25-40 HP  
208/230 Vac: 15-20 HP

## CONTENTS

|   |   |
|---|---|
| SmartVFD Frame 6 Wiring Diagrams .....  | 2 |
| Frame 6, Fused Disconnect Wiring Diagrams .....   | 2 |
| Frame 6, 2 Contactor Wiring Diagrams .....  | 3 |
| Frame 6, 3 Contactor Wiring Diagrams .....  | 4 |
| Frame 6, 3 Contactor with Auto-bypass Wiring Diagrams .....                                       | 5 |
| SmartVFD Frame 6 Dimensional Diagrams .....   | 6 |
| Frame 6 NEMA 1: Disconnect Only and 2 Contactor .....   | 6 |
| Frame 6 NEMA 1: 3 Contactor & 3 Contactor with Auto-bypass .....                                  | 7 |
| Frame 6 NEMA 12, Disconnect Only, 2 Contactor, 3 Contactor and 3 Contactor with Auto-Bypass ..... | 8 |
| Frame 6 NEMA3R, Disconnect Only, 2 Contactor, 3 Contactor and 3 Contactor with Auto-Bypass .....  | 9 |



SMARTVFD FRAME 6 WIRING DIAGRAMS AND DIMENSIONAL DRAWINGS

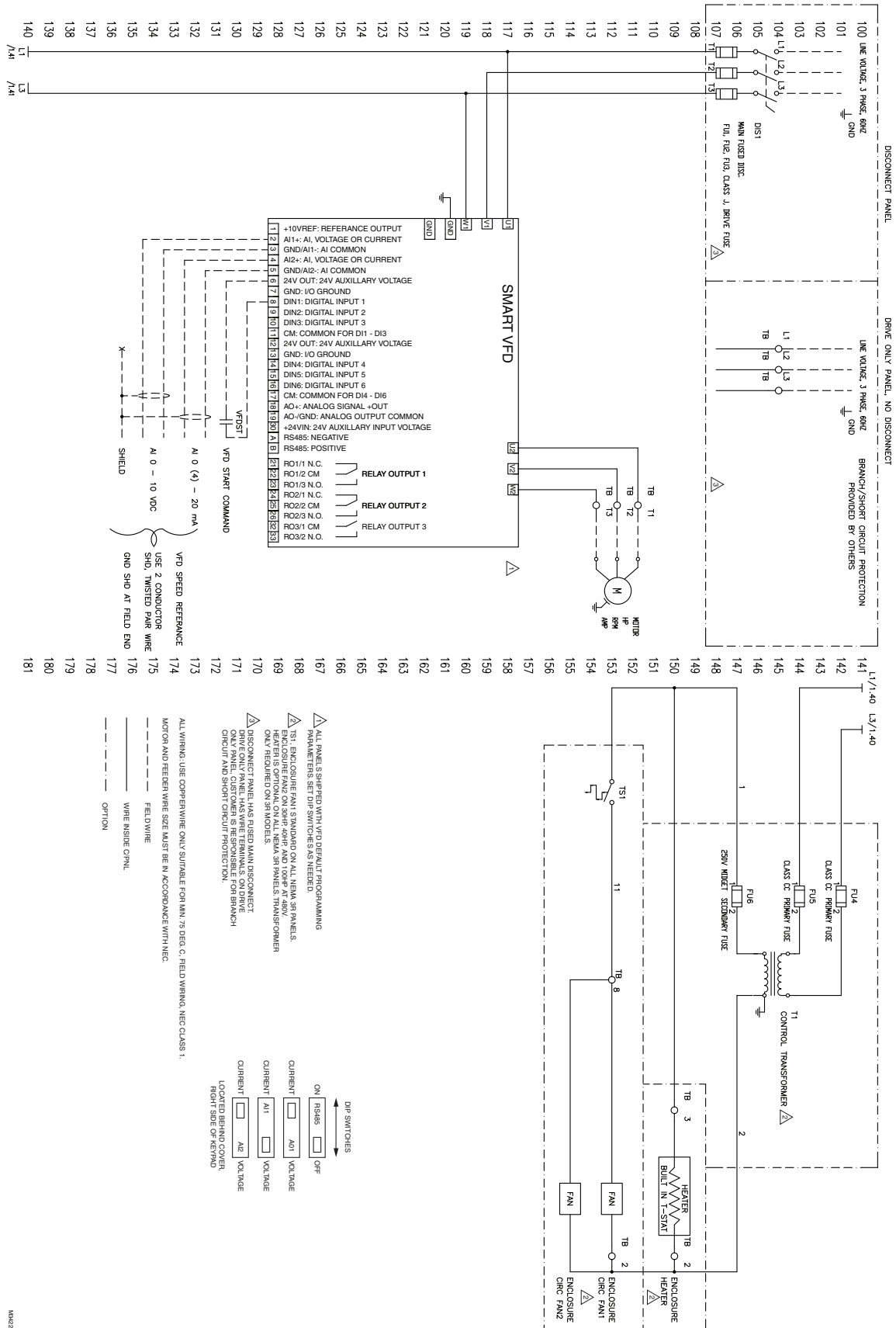


Fig. 1. Frame 6, Fused Disconnect Wiring Diagrams

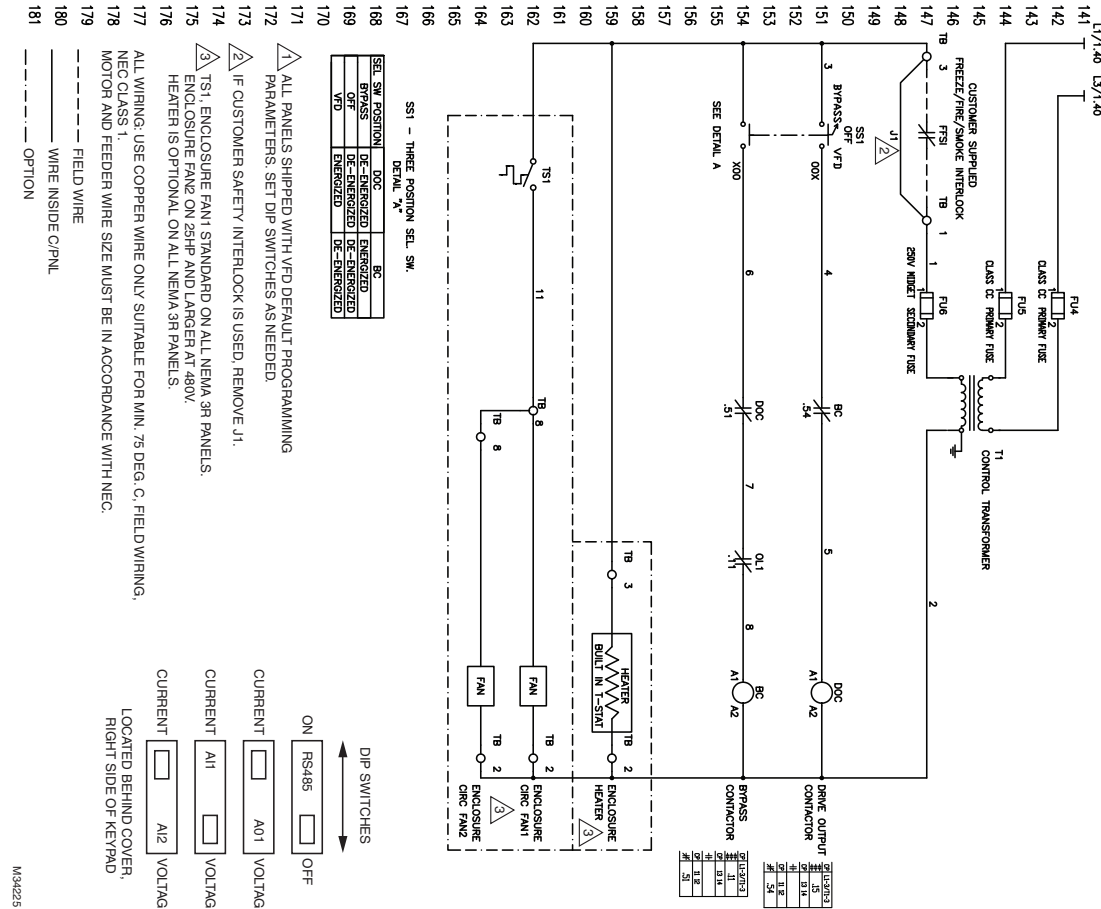
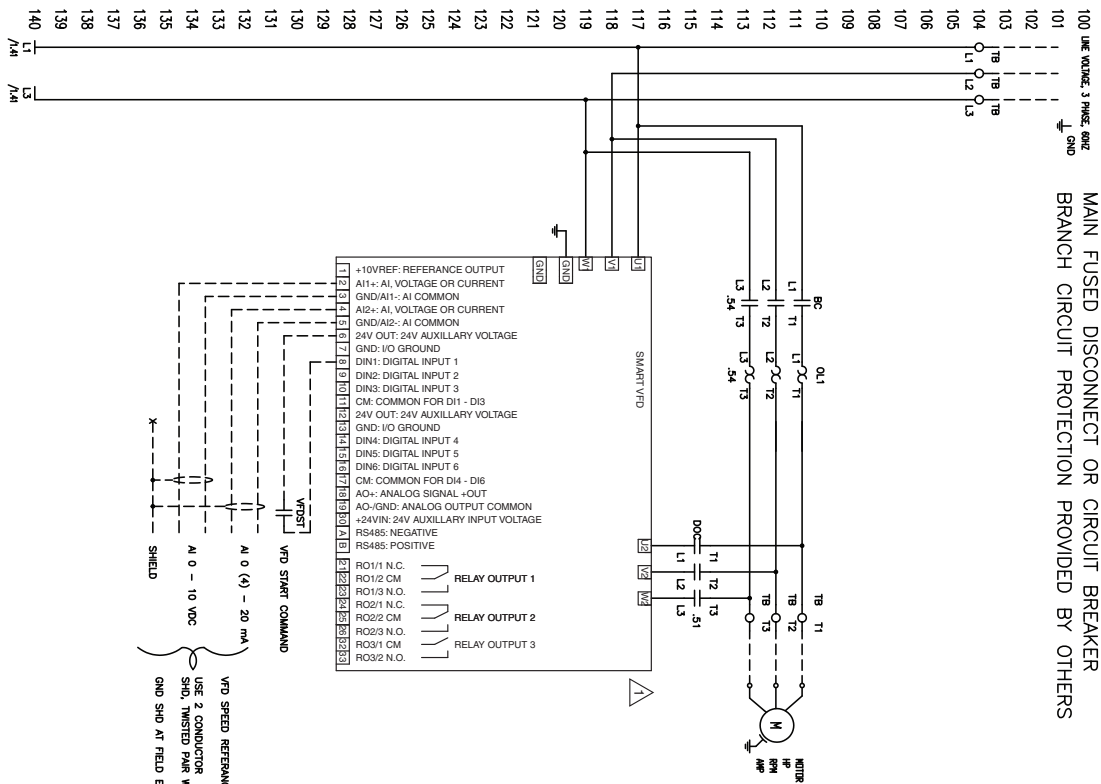


Fig. 2. Frame 6, 2 Contactor Wiring Diagram

SMARTVFD FRAME 6 WIRING DIAGRAMS AND DIMENSIONAL DRAWINGS

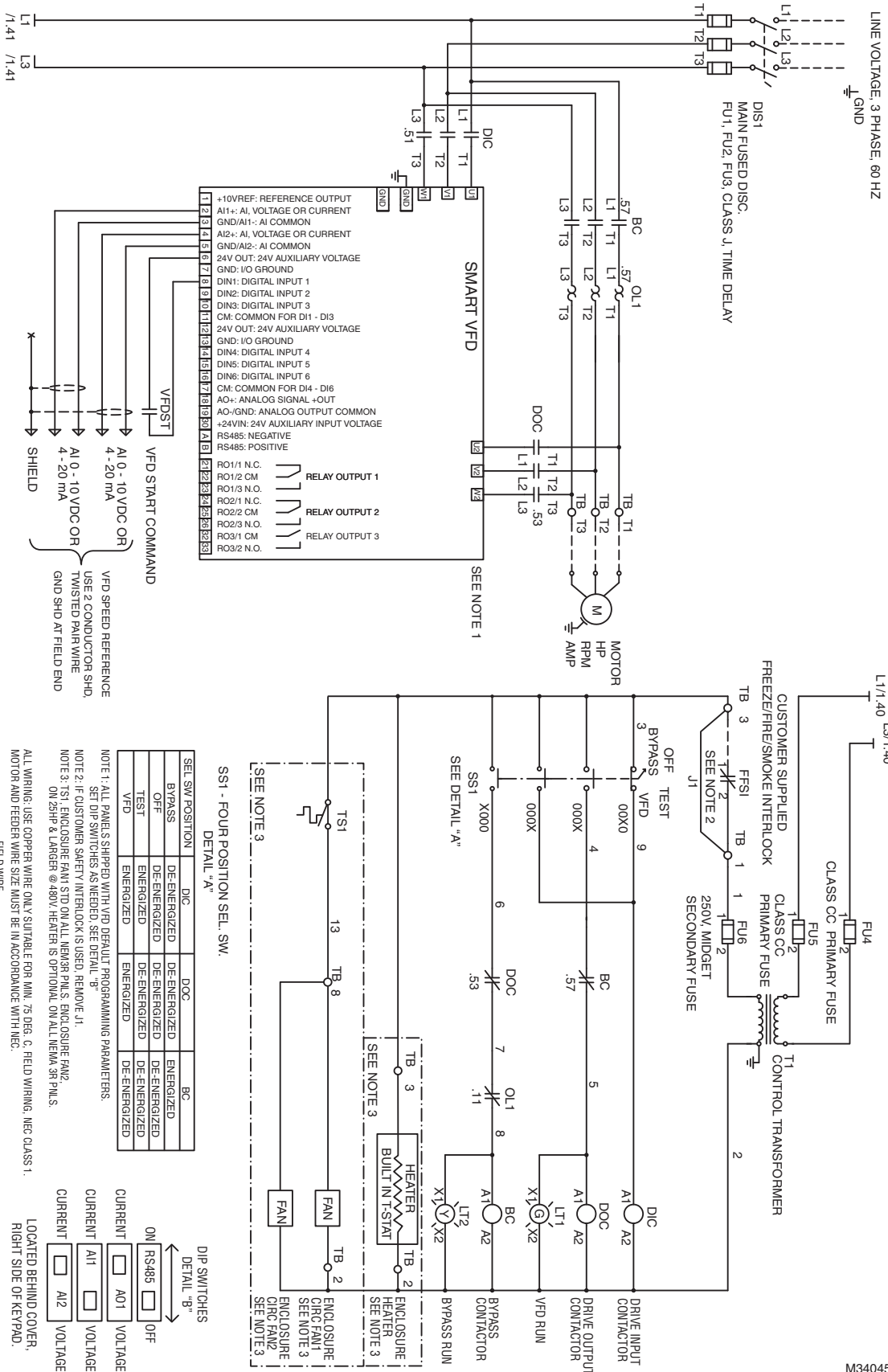


Fig. 3. Frame 6, 3 Contactor Wiring Diagram

M34045

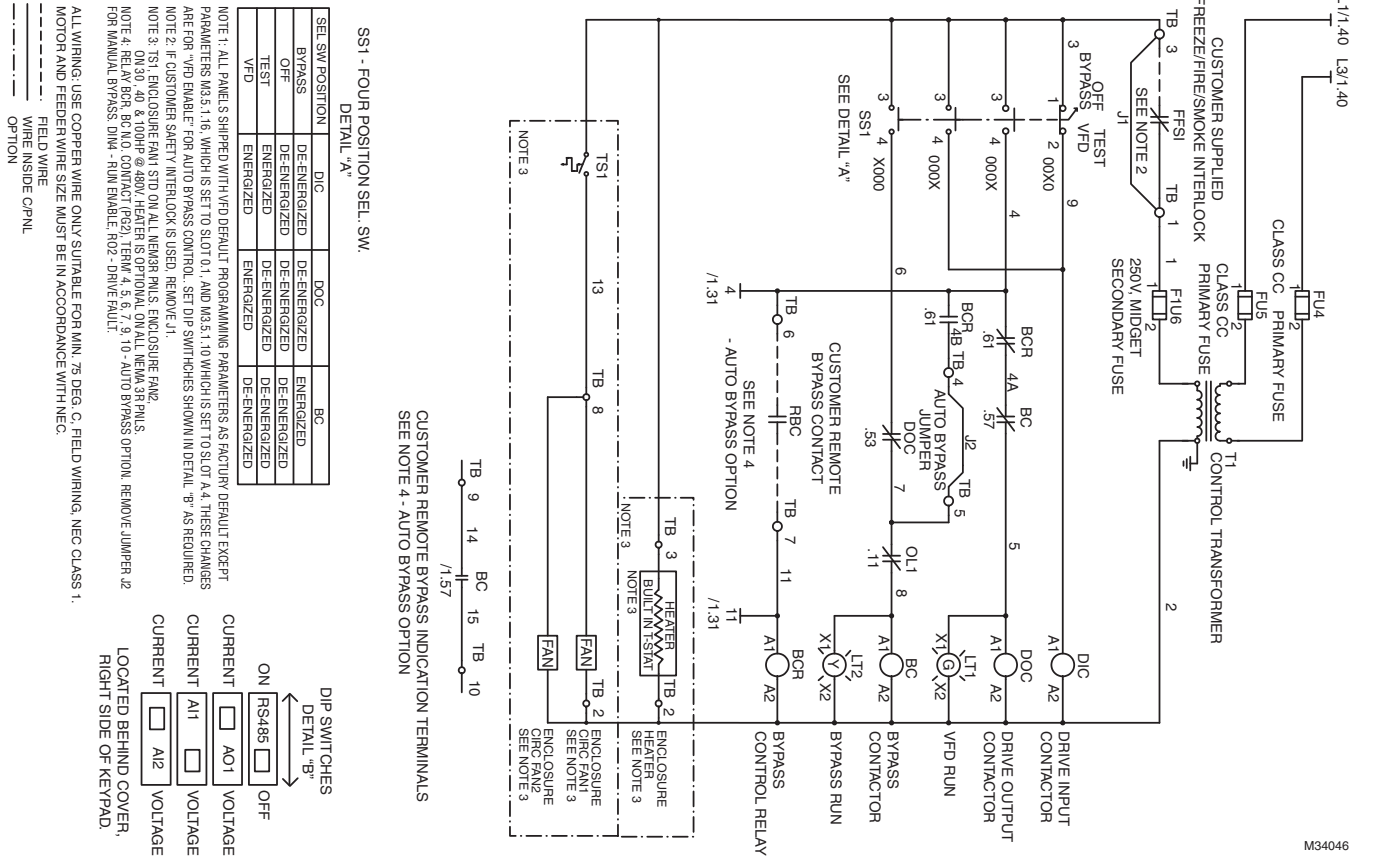
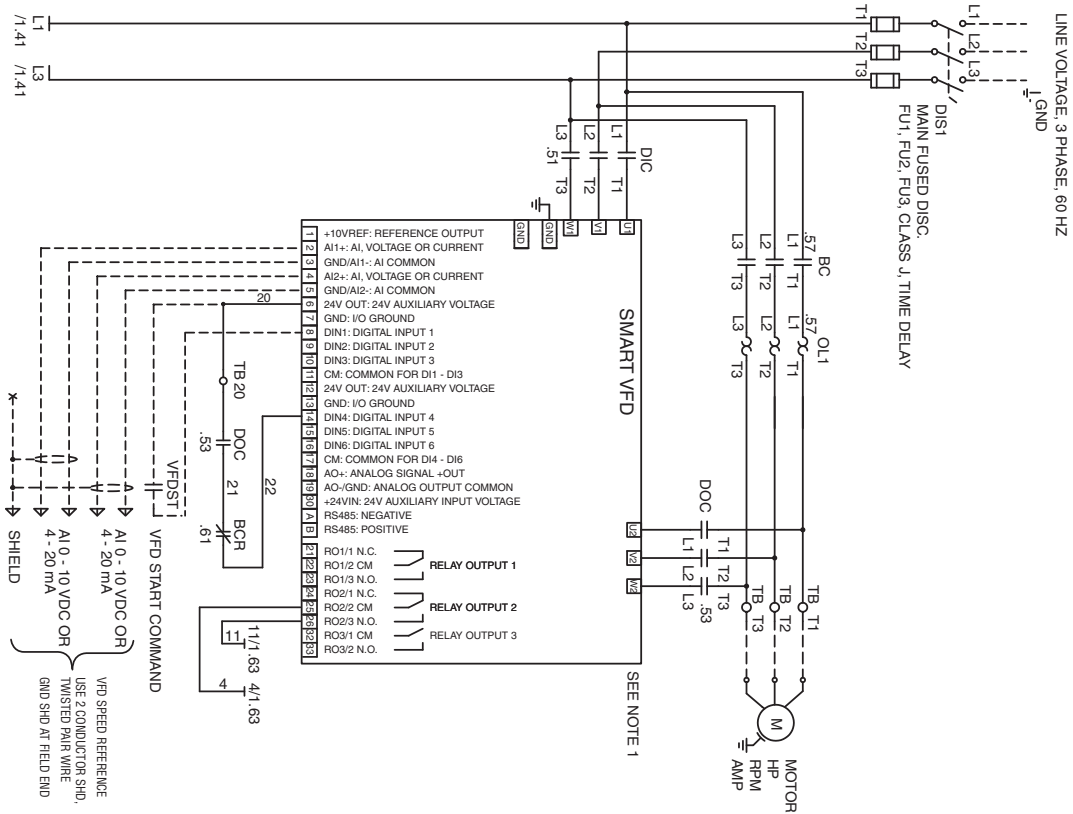
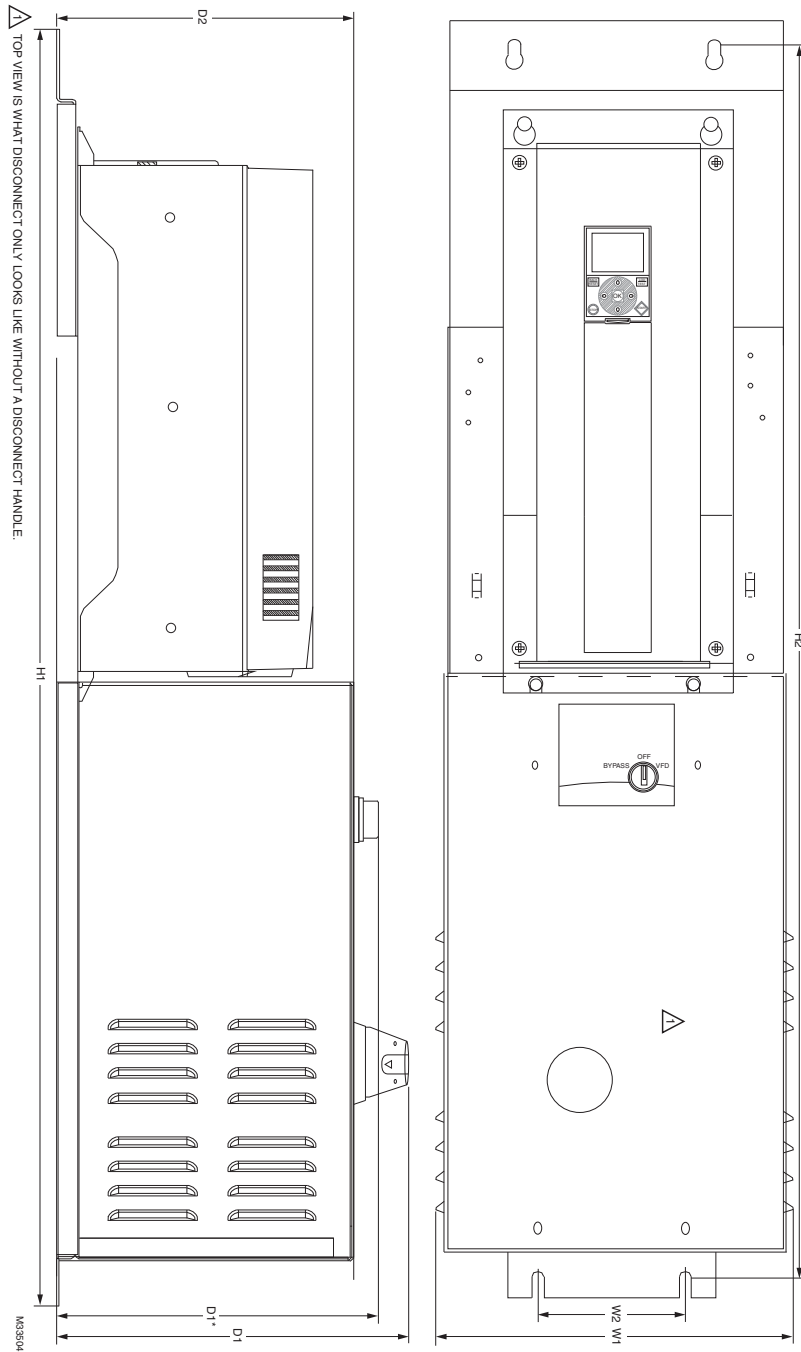


Fig. 4. Frame 6, 3 Contractor with Auto-bypass Wiring Diagrams

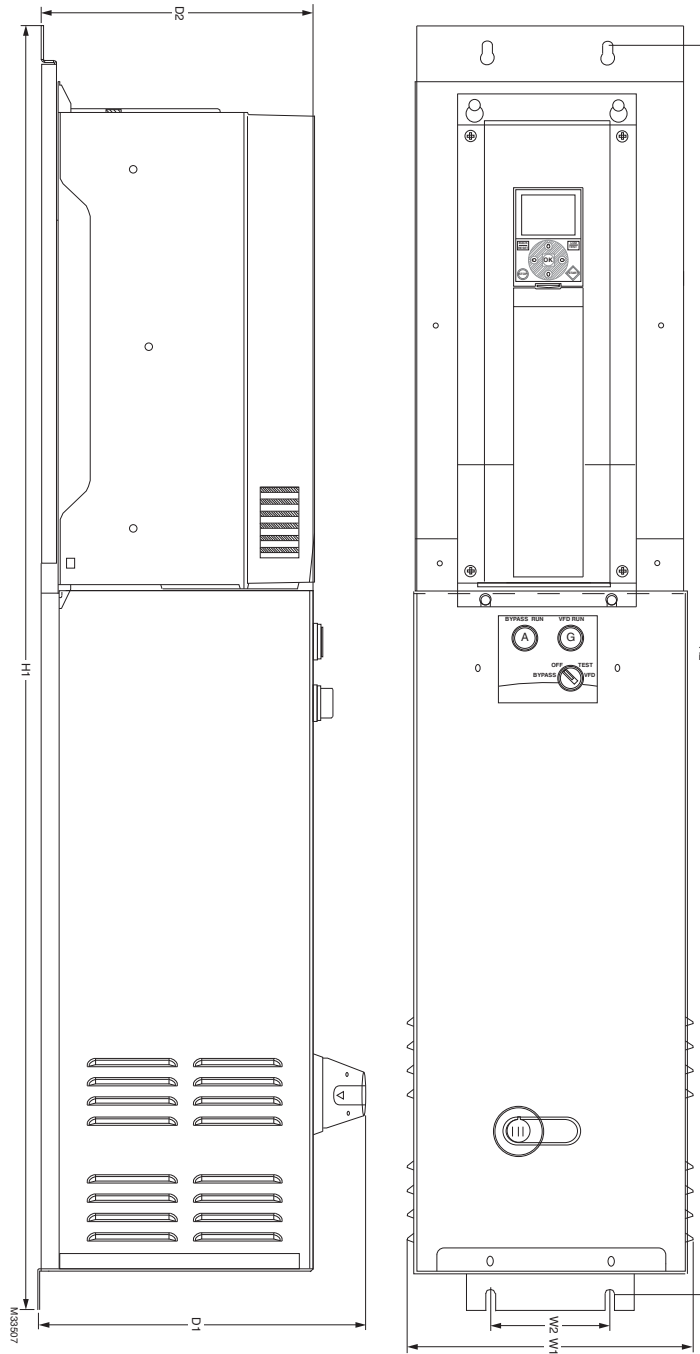
M34046

SMARTVFD FRAME 6 WIRING DIAGRAMS AND DIMENSIONAL DRAWINGS



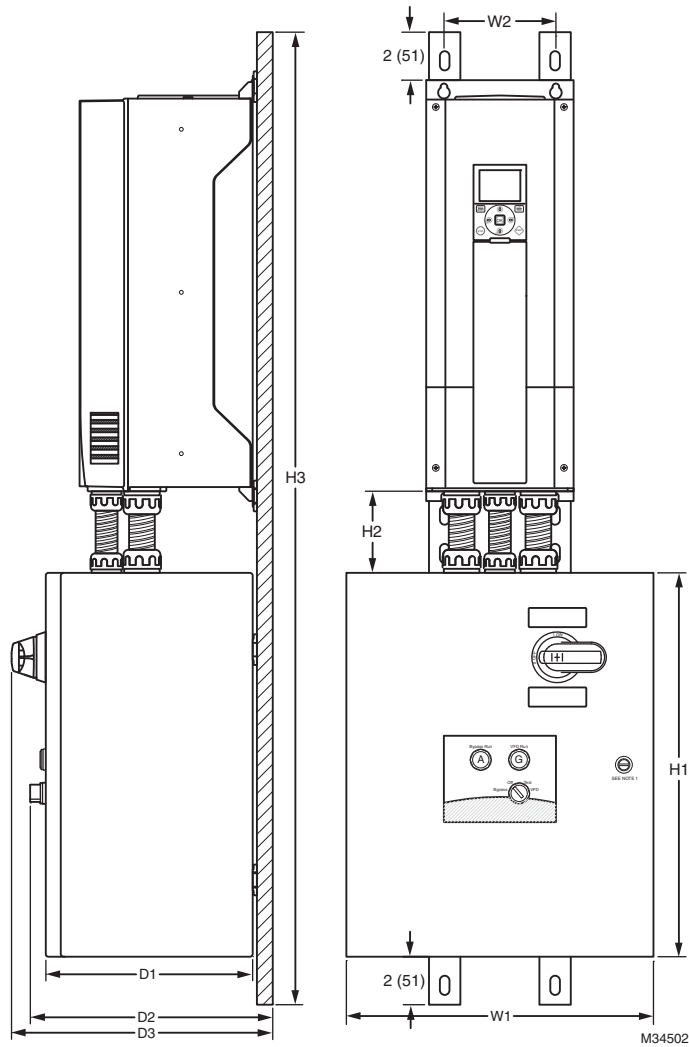
| Frame Size             | HP and Voltage |         | Configuration | Dimensions |      |       |      |       |      | Weight<br>Lb. |
|------------------------|----------------|---------|---------------|------------|------|-------|------|-------|------|---------------|
|                        | 208/230 Vac    | 460 Vac |               | W1         | W2   | H1    | H2   | D1    | D2   |               |
| 6                      |                | 25HP    | Disconnect    | 12.42      | 4.98 | 45.17 | 43.9 | 11.31 | 9.57 |               |
| * depth of 2 CONT only |                |         | 2-Contractor  | 12.42      | 4.98 | 45.17 | 43.9 | *10.1 | 9.57 | 55            |
| 6                      | 15HP           | 30HP    | Disconnect    | 12.42      | 4.98 | 45.17 | 43.9 | 11.31 | 9.57 |               |
|                        |                |         | 2-Contractor  | 12.42      | 4.98 | 45.17 | 43.9 | *10.1 | 9.57 | 59            |
| 6                      | 20HP           | 40HP    | Disconnect    | 12.42      | 4.98 | 45.17 | 43.9 | 11.31 | 9.57 |               |
|                        |                |         | 2-Contractor  | 12.42      | 4.98 | 45.17 | 43.9 | *10.1 | 9.57 |               |

Fig. 5. Frame 6 NEMA 1: Disconnect only and 2 Contactor Dimensional Drawings.



| Frame Size | HP and Voltage |         | Configuration                 | Dimensions |      |       |       |       |      | Weight<br>Lb. |
|------------|----------------|---------|-------------------------------|------------|------|-------|-------|-------|------|---------------|
|            | 208/230 Vac    | 460 Vac |                               | W1         | W2   | H1    | H2    | D1    | D2   |               |
| 6          |                | 25HP    | 3-Contractor                  | 12.42      | 4.98 | 55.21 | 53.99 | 11.31 | 9.55 | 94.5          |
|            |                |         | 3-Contractor with Auto-Bypass | 12.42      | 4.98 | 55.21 | 53.99 | 11.31 | 9.55 |               |
| 6          | 15HP           | 30HP    | 3-Contractor                  | 12.42      | 4.98 | 55.21 | 53.99 | 11.31 | 9.55 | 98.5          |
|            |                |         | 3-Contractor with Auto-Bypass | 12.42      | 4.98 | 55.21 | 53.99 | 11.31 | 9.55 |               |
| 6          | 20HP           | 40HP    | 3-Contractor                  | 12.42      | 4.98 | 55.21 | 53.99 | 11.31 | 9.55 | 105.5         |
|            |                |         | 3-Contractor with Auto-Bypass | 12.42      | 4.98 | 55.21 | 53.99 | 11.31 | 9.55 |               |

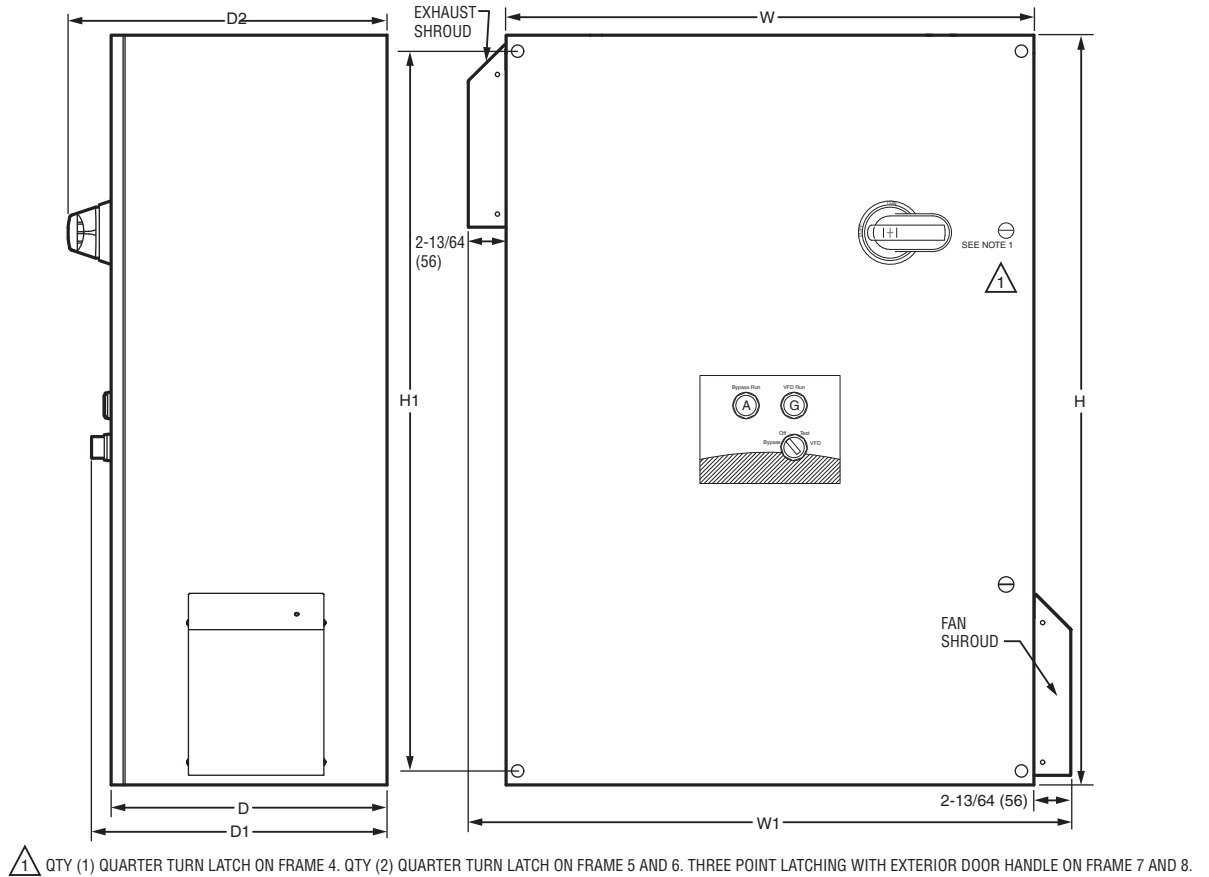
Fig. 6. Frame 6 NEMA 1: 3 Contactor and 3 Contactor with Auto-bypass Dimensional Drawings.



| Frame Size | HP and Voltage |            | Configuration                                   | Dimensions |    |      |    |    |    |      |    | Weight<br>Lb. |
|------------|----------------|------------|---|------------|----|------|----|----|----|------|----|---------------|
|            | 208/230<br>Vac | 460<br>Vac |   | H1         | H2 | H3   | W1 | W2 | D1 | D2*  | D3 |               |
| 6          | 15HP           | 25HP       | Disconnect Only                                 | 16         | 5  | 46.5 | 12 | 6  | 10 | 11.5 | 13 | 120           |
|            | 20HP           | 30HP       |   |            |    |      | 16 |    |    |      |    | 120           |
|            |                | 40HP       |   |            |    |      | 16 |    |    |      |    | 136           |
| 6          |                | 25HP       | 2-Contactor,                                    | 20         | 5  | 50.5 | 16 | 6  | 10 | 11.5 | 13 | 120           |
|            |                | 30HP       | 3-Contactor,                                    | 20         | 5  | 50.5 | 16 | 6  | 10 | 11.5 | 13 | 120           |
|            |                | 40HP       | 3-Contactor with<br>Auto-Bypass                 | 24         | 5  | 54.5 | 20 | 6  | 10 | 11.5 | 13 | 136           |
|            | 15HP           |            | 2-Contactor,                                    | 20         | 5  | 50.5 | 16 | 6  | 10 | 11.5 | 13 | 125           |
|            | 20HP           |            | 3-Contactor,<br>3-Contactor with<br>Auto-Bypass | 24         | 5  | 54.5 | 20 | 6  | 10 | 11.5 | 13 | 140           |

Fig. 7. Frame 6 NEMA 12, Disconnect Only, 2 Contactor, 3 Contactor and 3 Contactor with Auto-Bypass.





M34503

| Frame Size | HP and Voltage |                   | Configuration                | Dimensions |      |    |      |    |      | Weight Lb. |
|------------|----------------|-------------------|------------------------------|------------|------|----|------|----|------|------------|
|            | 208/230 Vac    | 460 Vac           |                              | H          | H1   | W  | W1   | D  | D2   |            |
| 6          | 15HP, 20HP     | 25HP, 30HP, 40HP, | Disconnect Only              | 36         | 34.5 | 24 | 28.5 | 10 | 12   | 88         |
|            |                |                   | 2-Contactor                  | 36         | 34.5 | 24 | 28.5 | 10 | 10.5 | 118        |
|            |                |                   | 3-Contactor                  | 36         | 34.5 | 30 | 34.5 | 10 | 12   | 124        |
|            |                |                   | 3-Contactor with Auto-Bypass | 36         | 34.5 | 30 | 34.5 | 10 | 12   | 124        |

Fig. 8. Frame 6: NEMA3R: Disconnect Only, 2 Contactor, 3 Contactor and 3 Contactor with Auto-Bypass





By using this Honeywell literature, you agree that Honeywell will have no liability for any damages arising out of your use or modification to, the literature. You will defend and indemnify Honeywell, its affiliates and subsidiaries, from and against any liability, cost, or damages, including attorneys' fees, arising out of, or resulting from, any modification to the literature by you.

**Automation and Control Solutions**

Honeywell International Inc.  
1985 Douglas Drive North  
Golden Valley, MN 55422  
customer.honeywell.com

© U.S. Registered Trademark  
© 2013 Honeywell International Inc.  
63-4382—02 M.S. Rev. 03-13  
Printed in United States

**Honeywell**