

SUB Series GREEN CLASS METER

SPECIFICATION DATA



FEATURES

- Direct-read 8-digit LCD display without multiplier displays cumulative kWh and "real-time" kW load.
- User entered cost per KWH provides to-date energy cost and projected hourly cost based on metered load.
- Displays total carbon (CO₂) emissions in pounds (lbs.) and indicates hourly emissions based on metered load.

- Revenue Metering Accuracy.
- 0-2 volt output split-core current sensors promote enhanced safety and allow remote mounting of current sensors up to 2000 feet from meter without power interruption.
- Current sensor installation diagnostic indicator.
- Parallel up to three (3) sets of current sensors for cumulative reading.
- Meter can be used on the following configurations:
 - 3-Phase, 4-Wire
 - 3-Phase, 3-Wire
- Optional plug-in terminal block for pulse output.
- Industrial-grade JIC steel enclosure with padlocking hasp and mounting flanges for indoor installations with 1 1/16 in. KO (3/4 in. Cond.) on bottom of enclosure.
- Non-volatile Memory.
- UL/CUL Listed.
- Certified to ANSI C12.1 and C12.16 electronic meter National Accuracy Standards. (+/-1% from 1%-100% of the rated load.)
- New York City approved; Con Edison approved for RSP program.

Table 1. Model Numbers

120/208-240V, 3-Phase, 4W 240V, 3-Phase, 3W	277/480V, 3-Phase, 4W 480V, 3-Phase, 3W
SUBGP208 - 100	SUBGP480 - 100
SUBGP208 - 200	SUBGP480 - 200
SUBGP208 - 400	SUBGP480 - 400
SUBGP208 - 800	SUBGP480 - 800
SUBGP208 - 1600	SUBGP480 - 1600
SUBGP208 - 3200	SUBGP480 - 3200

NOTE: All meter kits include one set of three (3) split-core current sensors.

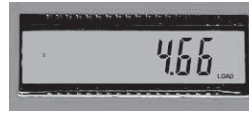


DISPLAY FEATURES

The Honeywell Green Class meter offers a scrolling display of energy usage information:



Total Kilowatt-Hours consumed to date



Projected cost based on present load



Total energy cost to date



Total lbs. of CO2 emissions to date

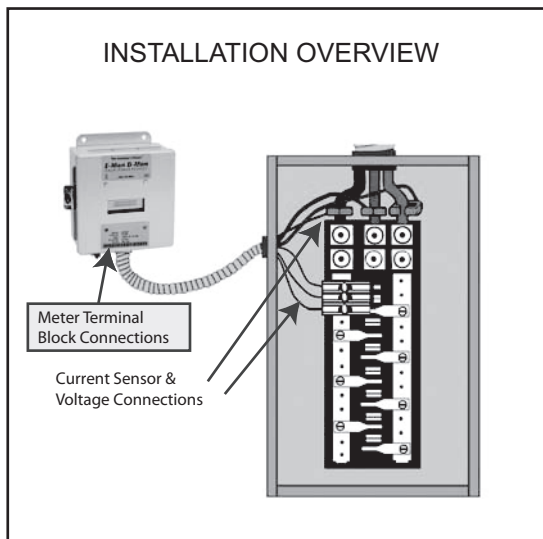


Present load in Kilowatts

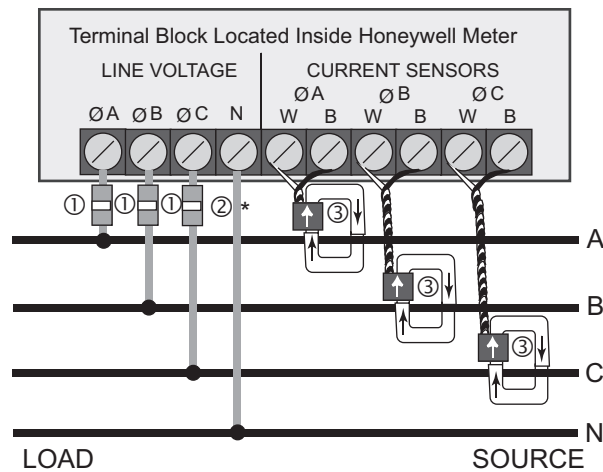


Projected hourly CO2 emissions based on present load

INSTALLATION



3-PHASE, 3-WIRE OR 3-PHASE, 4-WIRE INSTALLATION DIAGRAM



- ① Recommended fuses or circuit breaker per the National Electrical Code (Meter load 6VA.)
- *② Neutral not required in delta system.
- ③ Split-core current sensors. Install according to instructions.
- ④ Install jumper

Automation and Control Solutions

Honeywell International Inc.
1985 Douglas Drive North
Golden Valley, MN 55422

By using this Honeywell literature, you agree that Honeywell will have no liability for any damages arising out of your use or modification to, the literature. You will defend and indemnify Honeywell, its affiliates and subsidiaries, from and against any liability, cost, or damages, including attorneys' fees, arising out of, or resulting from, any modification to the literature by you.

Honeywell Limited-Honeywell Limitée
35 Dynamic Drive
Toronto, Ontario M1V 4Z9
customer.honeywell.com

Honeywell