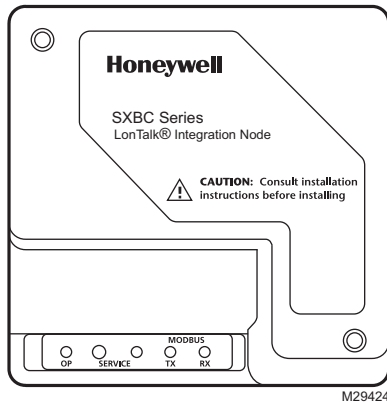


SXBC-1, SXBC-5 Integration Nodes



SPECIFICATION DATA

FEATURES

- Easy Integration to Honeywell networks
- Pre-configured to pass points acquired by Honeywell transducers to a Lon controller
- Easy cost-effective connectivity to LonWorks systems...makes open connectivity possible
- Flexible mounting and wiring options save time and money

OVERVIEW

To answer the needs for open-protocol standards and cost-effective energy information, Honeywell offers the SXBC Series of LonTalk Integration Nodes. Transducers can be connected to LonWorks networks through the SXBC devices. Couple the simplified installation of our Modbus power meters to the flexible SXBC platform and realize installation savings of up to 70% when compared to “standard” power transducers.

APPLICATIONS

Using an indexing method, the SXBC devices can report data from multiple Honeywell power meters on the downstream Modbus network. Just select the Modbus address of a specific device with a plug-in configuration tool or send an input variable to the network. Acquire and record the desired data, and move on to select another device.

- Submetering for commercial tenants...allocate costs
- Energy managing and performance contracting
- Load shedding and demand control
- Activity-based costing in commercial and industrial facilities



SPECIFICATIONS

LonWorks Network

Free topology transceiver, 78 kbps

Modbus Network

RTU 9600 BAUD, 8N1 format

Input Power

16-24VAC/DC, 100mA (max.)

Temperature Range

0° to 60°C (32° to 140°F)

Humidity Range

0 - 95% non-condensing

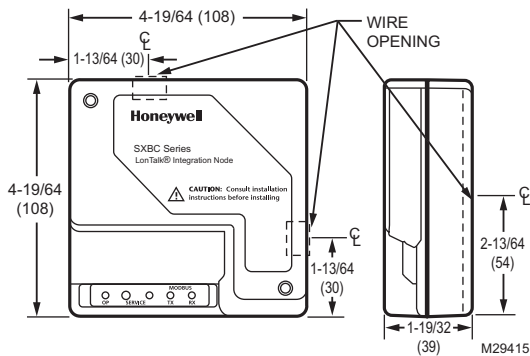


Fig. 1. SXBC-1 & SXBC-5 dimensions in in. (mm).

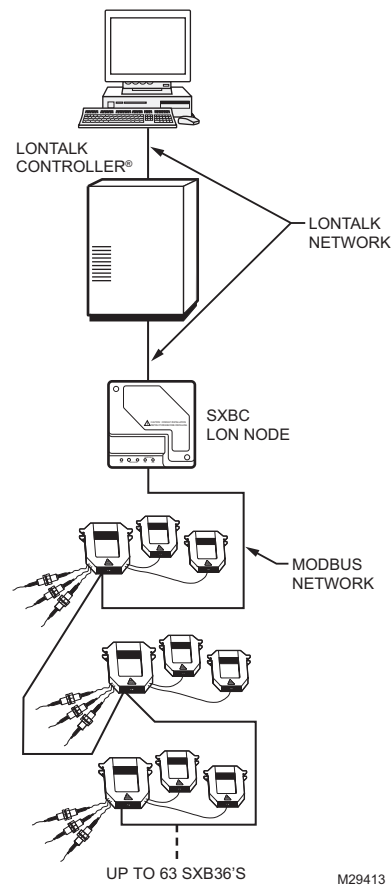


Fig. 3. Wiring—Indexed option.

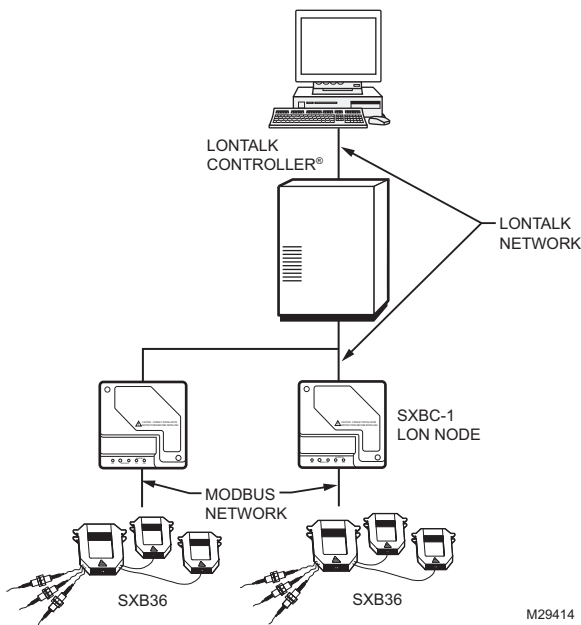


Fig. 2. Wiring—Bound option.

ORDERING INFORMATION

Model	Description
SXBC-1	SXB36 to LonTalk® integration node
SXBC-5	SXB35 to LonTalk® integration node

By using this Honeywell literature, you agree that Honeywell will have no liability for any damages arising out of your use or modification to, the literature. You will defend and indemnify Honeywell, its affiliates and subsidiaries, from and against any liability, cost, or damages, including attorneys' fees, arising out of, or resulting from, any modification to the literature by you.

Automation and Control Solutions

Honeywell International Inc.
1985 Douglas Drive North
Golden Valley, MN 55422
customer.honeywell.com

Honeywell Limited-Honeywell Limitée
35 Dynamic Drive
Toronto, Ontario M1V 4Z9

Honeywell