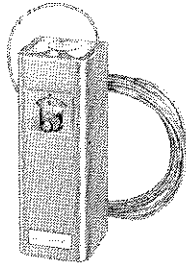


Honeywell

T478B TEMPERATURE CONTROLLER



T478

THE T478B TEMPERATURE CONTROLLER CONTROLS THE SPACE TEMPERATURE IN TOBACCO CURING BARNs.

□ T478B

- Temperature control point adjusts from 40 F to 180 F [4 C to 82 C] with knob on the front of the device.
- Enclosed spst snap switches resist effects of dust and moisture.
- Factory calibration eliminates need for field calibration.
- 10 ft [3.0 m] of capillary tubing permits sensing element to be mounted separately from controller.

SPECIFICATIONS

MODELS: T478B Temperature Controller utilizes a 27-1/2 in. [699 mm] liquid-filled sensing element connected to a spring-loaded diaphragm via 10 ft [3 m] of capillary tubing.

DIMENSIONS: See Fig. 1.

SWITCHING: Two spst switches; both open on temperature rise.

CONTROL RANGE: 40 F to 180 F [4 C to 82 C].

DIFFERENTIAL: 5 F [3 C] fixed; 7 F [4 C] interstage between switches.

ELECTRICAL RATINGS (amperes):

	120 Vac	240 Vac
Full Load	7.4	5.1
Locked Rotor	44.4	30.6

MAXIMUM SAFE BULB TEMPERATURE: 205 F [96 C].

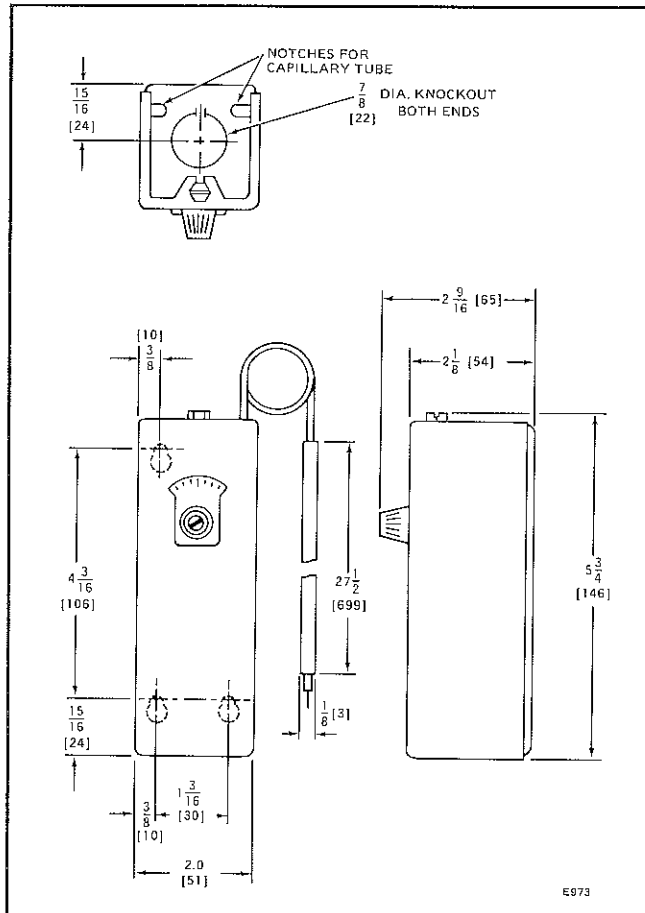


Fig. 1—T478B MOUNTING DIMENSIONS IN in. [mm IN BRACKETS].

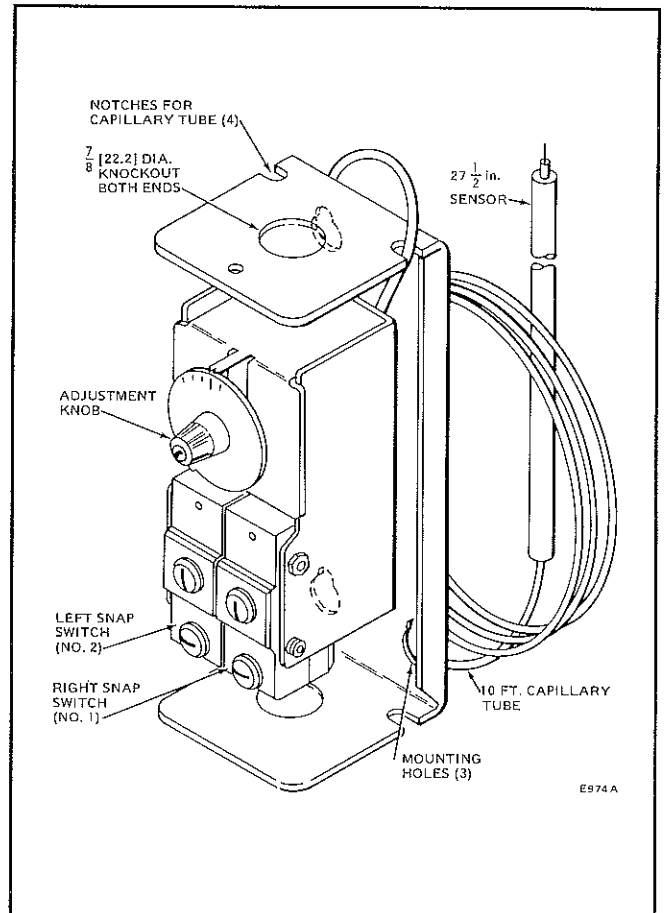


Fig. 2—INTERNAL VIEW OF T478B.