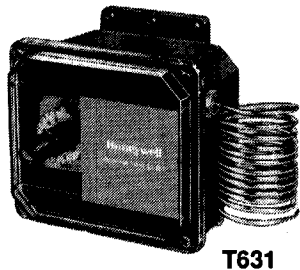


Honeywell

T631F,G FARM-O-STAT AIRSWITCH CONTROLLERS



T631

T631 CONTROLLERS PROVIDE LINE VOLTAGE CONTROL OF HEATING, COOLING, AND VENTILATING SYSTEMS IN FARM BUILDINGS OR STORAGE AREAS.

□ T631F □ T631G

- Typical applications include barns, brooder houses, poultry houses, hog houses, pump houses, milk houses and crop storage houses.
- NEMA 4X enclosure resists oil, water, dust and corrosion.
- T631F,G meet National Electrical Code (Article 547-4) requirements for animal confinement buildings.
- Clear plastic cover reveals set point, discourages tampering.
- Sensing element externally mounted for fast response and tin-plated to resist corrosion.
- Reliable snap switches sealed against contamination.
- Insulated case has internal grounding screw for safety.
- Single-stage model (T631F) identified by red label, 2-stage model (T631G) by white label.
- Available with external set point adjustment.

SPECIFICATIONS

MODELS:

T631F— 35 F to 100 F [2 C to 38 C] setting range, one spdt snap switch (standard or 1 hp contact rating).

T631G— 35 F to 100 F [2 C to 38 C] setting range, 2 spdt snap switches (1 hp contact rating). More model specifications in Table 1.

SENSING ELEMENTS: Tin-plated copper capillary, mounted externally.

WATERPROOF ENCLOSURE: To retain waterproof rating of T631F,G controllers, use waterproof connector fittings.

MOUNTING NEWS: Screws through holes in flanges on case.
SET POINT ADJUSTMENT: Screwdriver/finger adjust dial under removable cover. On some models, set point adjustment is external. See Table 1.

MAXIMUM AMBIENT TEMPERATURE: 145 F [63 C] for both T631F,G.

DIMENSIONS: See Fig. 1.

UNDERWRITERS LABORATORIES INC. LISTED: File No. E4436, Vol 1, dated 12-17-80; Guide No. XAPX.

MEETS NATIONAL ELECTRICAL CODE, ARTICLE 547-4.

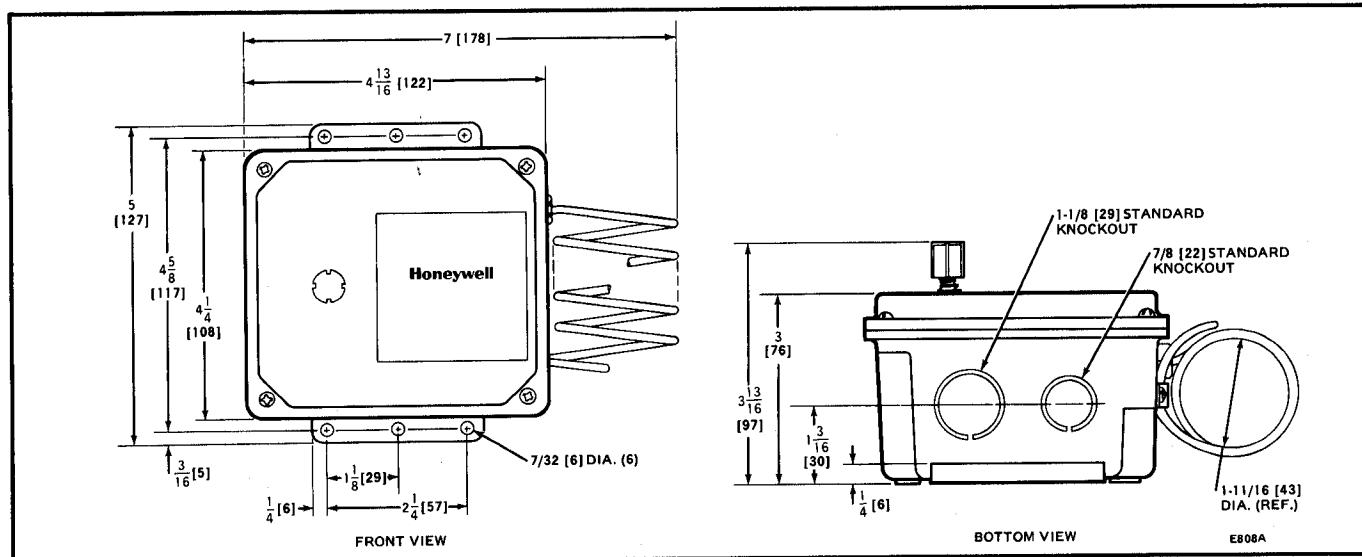


Fig. 1—T631 MOUNTING DIMENSIONS IN IN. [MM IN BRACKETS].

ELECTRICAL RATINGS (A):

VOLTAGE	WITH STANDARD SWITCH				WITH SWITCH RATED AT 1 hp	
	24 Vac	120 Vac	240 Vac	277 Vac	120 Vac	240 Vac
Full Load	2.0	7.4	3.7	3.0	16.0	8.0
Locked Rotor	—	44.4	22.2	18.0	96.0	48.0

TABLE 1

MODEL NUMBER	TEMPERATURE SCALE RANGE		SWITCH DIFFERENTIAL		ADDITIONAL FEATURES
	F	C	F	C	
T631F1068 T631F1084 ^a	35 TO 100	2 TO 38	2.0	1.1	
T631F1076 T631F1092 ^a	35 TO 100	2 TO 38	3.5	1.9	Snap switch with 1 hp contact rating.
T631G1042 T631G1059 ^a	35 TO 100	2 TO 38	2.0	1.1	Snap switches with 1 hp contact rating. Adj. interstage differential. ^b

^a Set point adjusted externally.

^b Interstage differential is adjustable from 0 F to 7 F [0 C to 4 C]. At 0 differential, both switches make at set point. With differential set above 0, speed change switch closes after fan switch, on temperature rise.