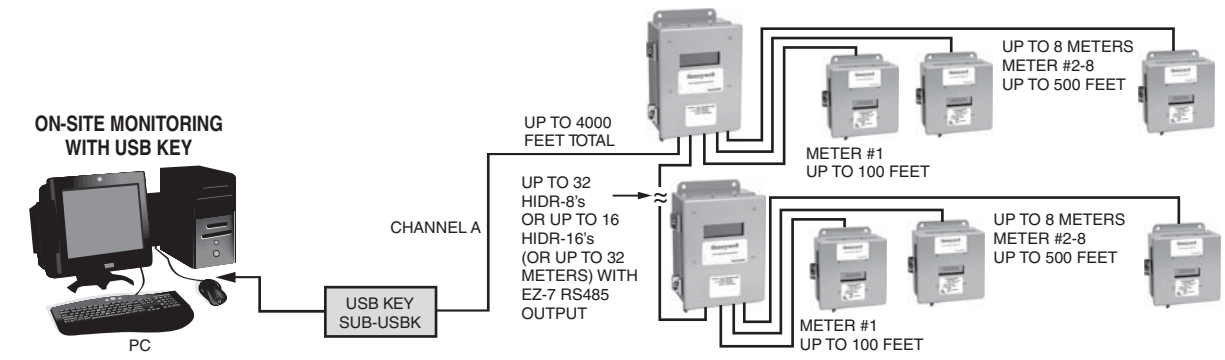
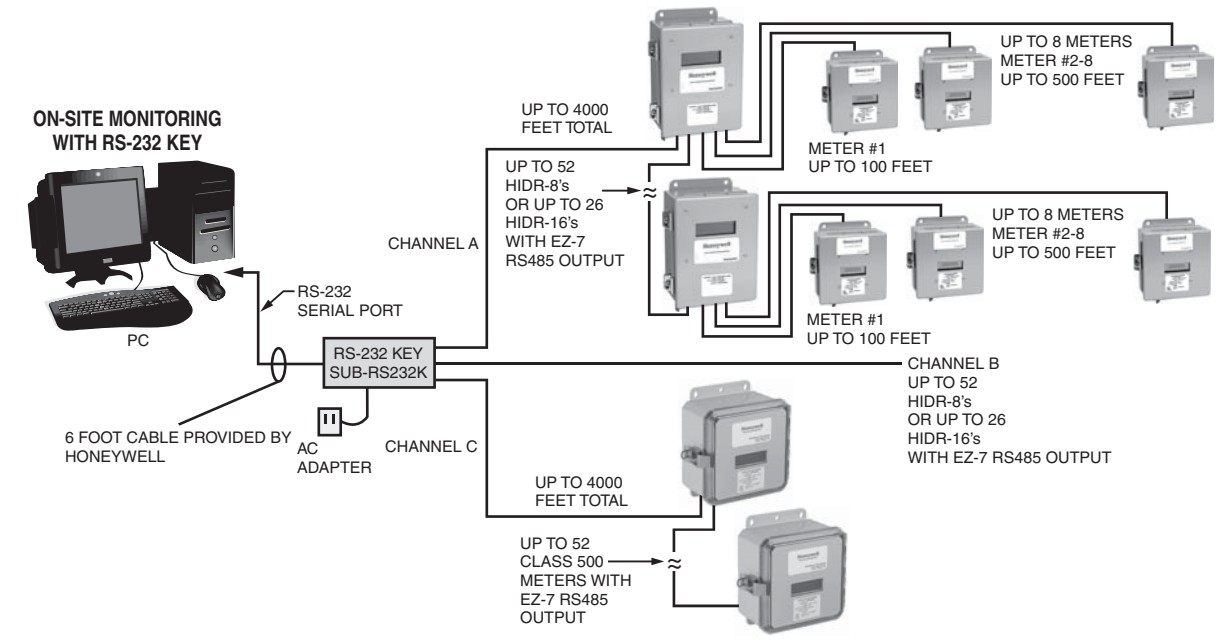


Honeywell E-Mon Energy Software

SYSTEM CONFIGURATION



NOTE: IDR's AND METERS CAN BE DAISY-CHAINED.

CABLING INFORMATION

HONEYWELL SUPPLIES METER TO IDR CABLES IN LENGTHS OF 7 FEET. IF LONGER CABLE IS REQUIRED, THE FOLLOWING CABLES ARE RECOMMENDED:

IDR TO METER #1: 8-CONDUCTOR #26 AWG STRANDED SILVER SATIN. MAX 100 FEET.

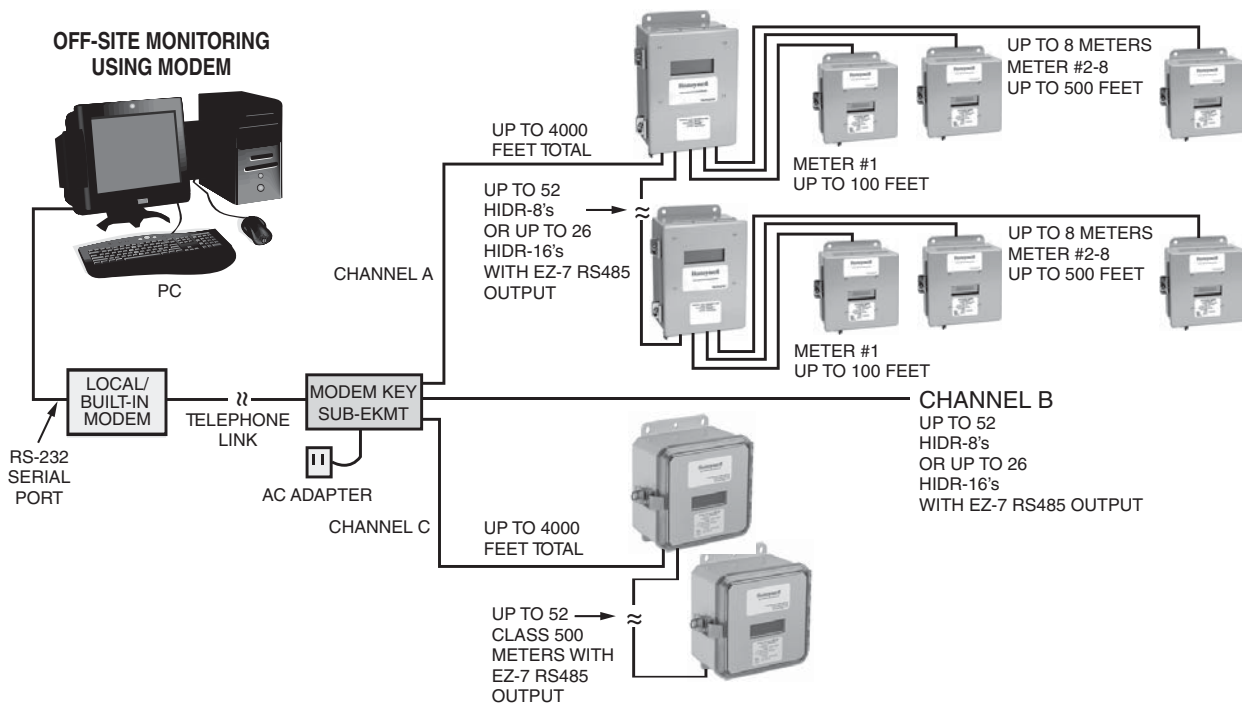
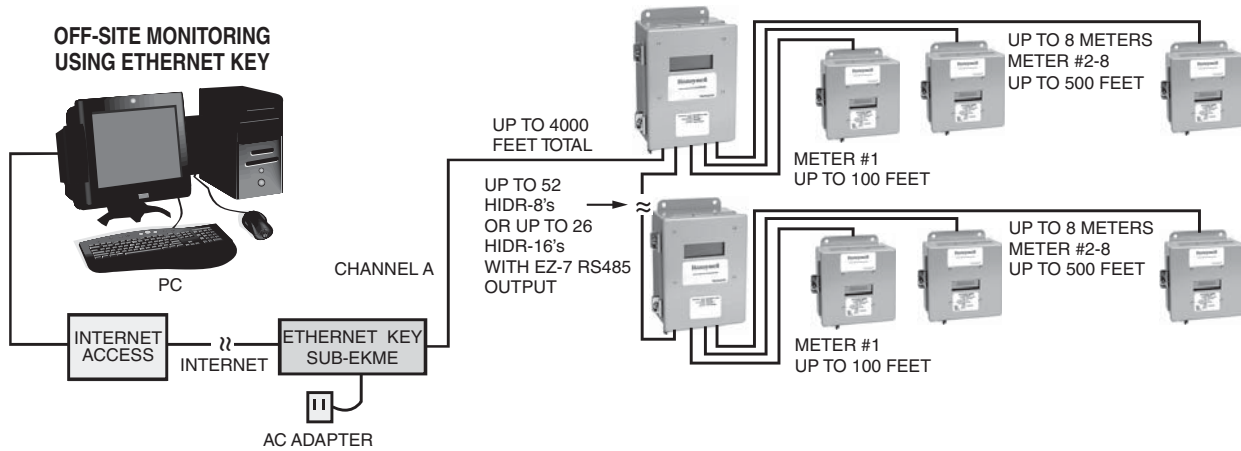
IDR TO METER #2-#8: 6-CONDUCTOR # 26 AWG STRANDED SILVER SATIN. MAX 500 FEET.

COMMUNICATION CABLE (IDR / IDR / METER TO KEY)

4-CONDUCTOR # 26 AWG STRANDED SILVER SATIN UP TO 4,000 FEET PER CHANNEL
OR 3 CONDUCTOR WIRE, 20-22 AWG STRANDED, USING 3 POSITION TERMINAL BLOCK

M33910





CABLING INFORMATION

HONEYWELL SUPPLIES METER TO IDR CABLES IN LENGTHS OF 7 FEET. IF LONGER CABLE IS REQUIRED, THE FOLLOWING CABLES ARE RECOMMENDED:

IDR TO METER #1
- 8-CONDUCTOR #26 AWG STRANDED SILVER SATIN. MAX 100 FEET.

IDR TO METER #2-#8
- 6-CONDUCTOR # 26 AWG STRANDED SILVER SATIN. MAX 500 FEET.

COMMUNICATION CABLE (IDR TO IDR / IDR TO KEY / METER TO KEY)
- 4-CONDUCTOR # 26 AWG STRANDED SILVER SATIN UP TO 4,000 FEET PER CHANNEL OR 3 CONDUCTOR WIRE, 20-22 AWG STRANDED, USING 3 POSITION TERMINAL BLOCK

M33911

By using this Honeywell literature, you agree that Honeywell will have no liability for any damages arising out of your use or modification to, the literature. You will defend and indemnify Honeywell, its affiliates and subsidiaries, from and against any liability, cost, or damages, including attorneys' fees, arising out of, or resulting from, any modification to the literature by you.

Automation and Control Solutions

Honeywell International Inc.
1985 Douglas Drive North
Golden Valley, MN 55422
customer.honeywell.com



© U.S. Registered Trademark
© 2012 Honeywell International Inc.
63-0347-02 JPG Rev. 07-12
Printed in United States