

Honeywell

START-STOP STATION

THE S445A START-STOP STATION IS FOR USE WITH MANUALLY OPERATED OIL OR GAS BURNER SEQUENCING RELAYS SUCH AS THE R485, R4075, AND R4138.

- The S445A, used in conjunction with a switching relay, controls the RA890F,G Primary Controls to provide positive shutdown in the event of power failure or flame failure.
- The S445A provides remote start-stop manual control of the RA890F,G when used in conjunction with a switching relay.
- Fully enclosed for minimum maintenance.
- Dropout on power failures shorter than one cycle (16 msec).



S445A

SPECIFICATIONS

MODEL: S445A Start-Stop Station.

CURRENT RATING (A):

	120 Vac	208 Vac	240 Vac
Full Load	7.2	5.4	4.9
Locked Rotor	43.2	32.4	29.4

Pilot duty—125 VA.
6 Vdc rating—7.5 A.

VOLTAGE: 120 Vac, 50/60 Hz; 208/240 Vac, 50/60 Hz;
and 6 Vdc.

FINISH: Gray enamel.

DIMENSIONS: 2-1/2 in. [63.5 mm] x 4-3/8 in. [111.1 mm]
x 3-3/4 in. [95.2 mm]. See Fig. 1.

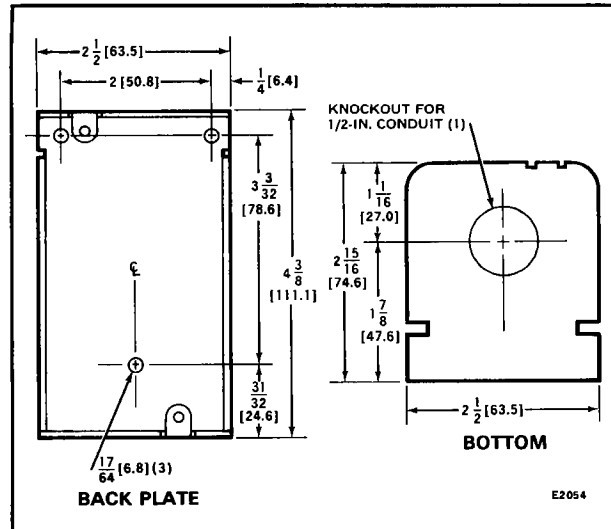


FIG. 1—INSTALLATION DIMENSIONS FOR THE S445A START-STOP STATION IN in. [mm IN BRACKETS].

INSTALLATION

WHEN INSTALLING THIS PRODUCT. . .

1. Read these instructions carefully. Failure to follow them could damage the product or cause a hazardous condition.
2. Check the ratings given in the instructions and on the product to make sure the product is suitable for your application.
3. Installer must be a trained, experienced, flame safeguard control technician.
4. After installation is complete, check out product operation as provided in these instructions.

CAUTION

Disconnect power supply before beginning installation to prevent electrical shock and equipment damage.

The S445A may be installed next to the controlled equipment or at any convenient remote location.

ORDERING INFORMATION

WHEN PURCHASING REPLACEMENT AND MODERNIZATION PRODUCTS FROM YOUR TRADELINE WHOLESALE OR YOUR DISTRIBUTOR, REFER TO THE TRADELINE CATALOG OR PRICE SHEETS FOR COMPLETE ORDERING NUMBER, OR SPECIFY—

1. Order number.
2. Voltage and frequency.

IF YOU HAVE ADDITIONAL QUESTIONS, NEED FURTHER INFORMATION, OR WOULD LIKE TO COMMENT ON OUR PRODUCTS OR SERVICES, PLEASE WRITE OR PHONE:

1. YOUR LOCAL HONEYWELL BUILDING CONTROLS SALES OFFICE (CHECK WHITE PAGES OF YOUR PHONE DIRECTORY).
2. BUILDING CONTROLS DIVISION CUSTOMER SERVICE
HONEYWELL INC., 1885 DOUGLAS DRIVE NORTH
MINNEAPOLIS, MINNESOTA 55422-4386 (612)542-7500

(IN CANADA—HONEYWELL LIMITED/HONEYWELL LIMITEE, 740 ELLESMERE ROAD, SCARBOROUGH, ONTARIO M1P 2V9) INTERNATIONAL SALES AND SERVICE OFFICES IN ALL PRINCIPAL CITIES OF THE WORLD.

TO MOUNT THE S445A

1. Loosen and remove the two cover screws. Remove the cover from the device.
2. Mount the base of the device using screws through the holes in the backplate.

WIRING THE S445A

All wiring must conform to applicable local codes and ordinances. Disconnect power supply before beginning installation.

1. Run the wiring into the S445A through the 1/2 in. knockout on the bottom of the backplate.
2. Wire the installation as shown in Fig. 2.

NOTE: The switch mechanism may be removed from the device cover for ease in wiring. Turn the mounting screw (see Fig. 3) 1/4 turn counterclockwise with a screwdriver to release the switch mechanism. Make sure that the switch mechanism is securely attached to the device case when wiring is completed.

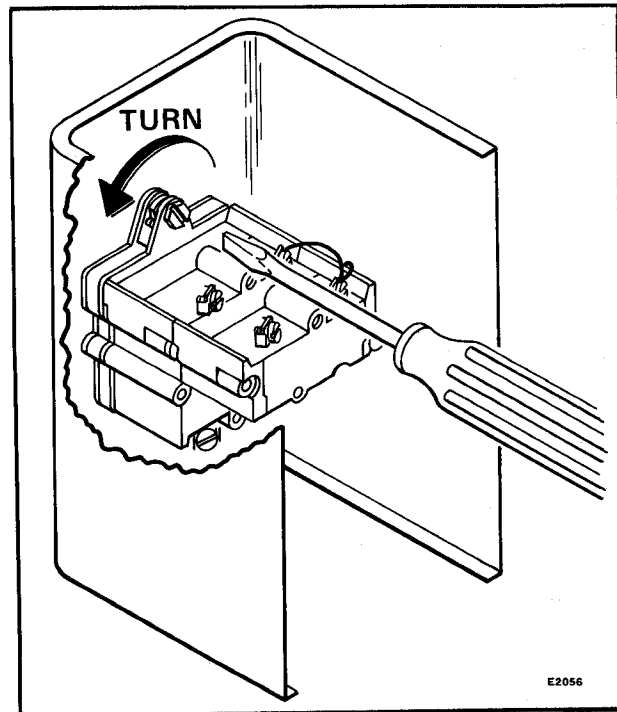


FIG. 3—REMOVING THE S445A SWITCH MECHANISM FOR WIRING.

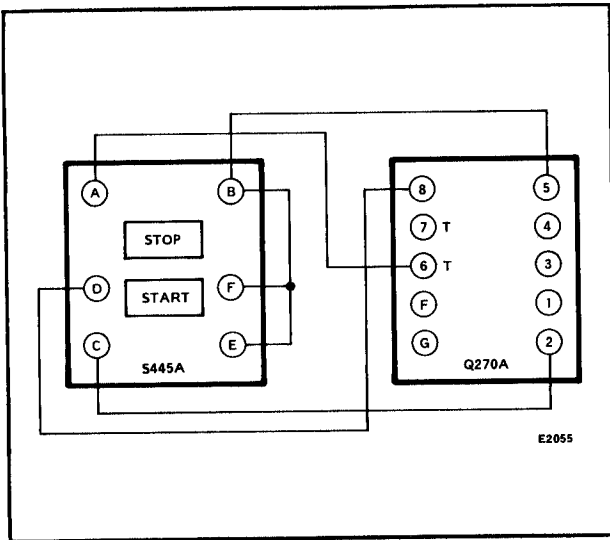


FIG. 2—TYPICAL WIRING HOOKUP FOR THE S445A START-STOP STATION.

S445A START-STOP STATION WITH SWITCHING RELAY TO PROVIDE POSITIVE SHUTDOWN OF RA890F, G

The S445A Start-Stop Station used with a 120 V, single pole-single throw (spst), normally open (N.O.) contacts switching relay provides positive shutdown of the RA890F,G primary controls in the event of power failure or flame failure (see Fig. 4). The relay contacts 6 and 8, shown in Fig. 4, must be capable of carrying the full load current of the RA890F,G (see Electrical Ratings, RA890F,G). Relay contacts 6 and 8 are also required to break the full electrical load. Should power interruption or a flame failure break the power supply to the switching relay, the relay contacts open. The start button must be depressed to restart the equipment.

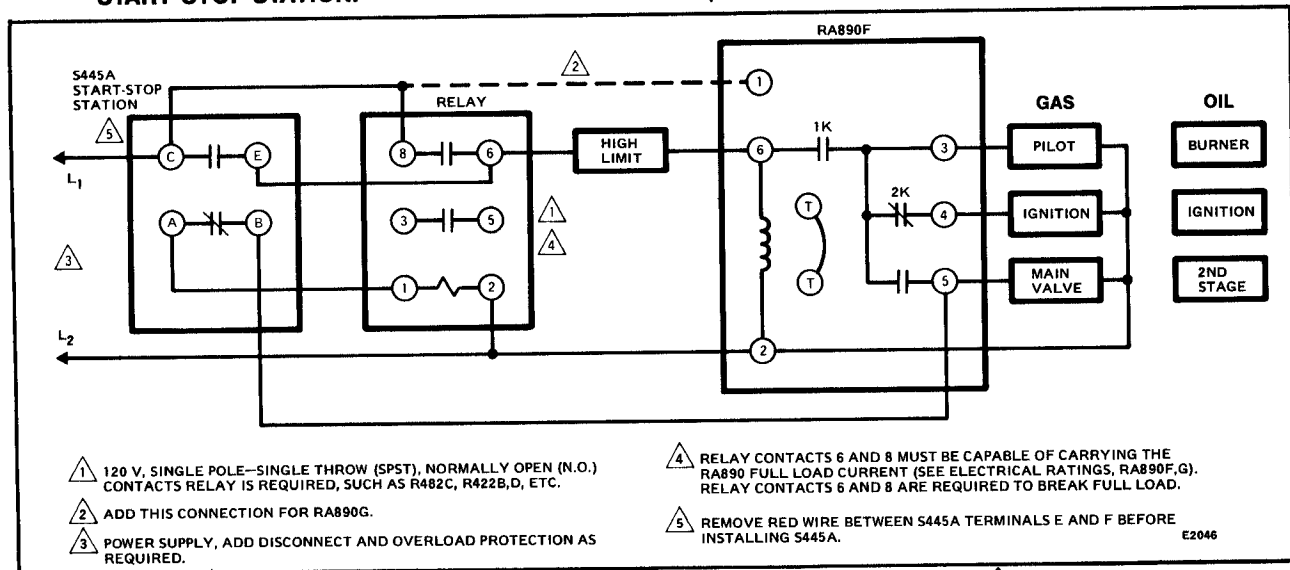


FIG. 4—S445A START-STOP STATION CONTROLLING THE RA890F (RA890G, see 2) TO PROVIDE POSITIVE SHUTDOWN IN CASE OF POWER FAILURE OR FLAME FAILURE.

S445A START-STOP STATION WITH SWITCHING RELAY TO CONTROL OIL OR GAS SYSTEM (RA890F,G)

The S445A Start-Stop Station used with a 120 V, dpst, N.O. contacts switching relay provides remote start-stop control of the RA890F,G primary controls in oil or gas

applications (see Fig. 5). To obtain operation of the S445A/switching relay combination, the S445A start button must be held in until the switching latches, normally about 1 sec. The switching relay contacts for this application require pilot duty rating (see Electrical Ratings, RA890F,G).

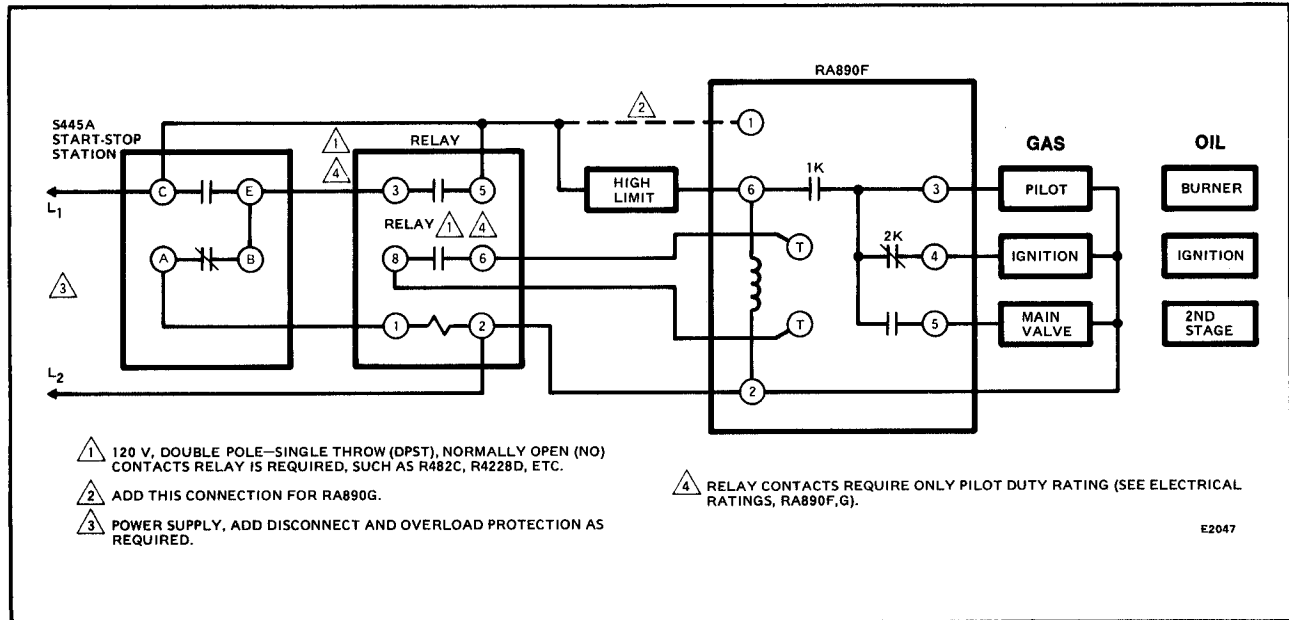


FIG. 5—GAS OR OIL SYSTEM USING S445A START- STOP STATION.

CHECKOUT

Operate the system through at least one complete cycle to make certain all equipment is operating properly.