

APPLICATION

The T6051B Explosion Proof, Heavy Duty Thermostat may be used in heating only systems, cooling only systems, combination heat-cool systems (system change-over means must be provided), or as a series 60 controller for valves or motors.

LOCATION

Locate the thermostat about five feet above the floor where it will be affected only by the average temperature of the room. These thermostats are mounted vertically.

INSTALLATION

CAUTION

1. Installer must be a trained, experienced serviceman.
2. Disconnect power supply before connecting wiring to prevent electrical shock and equipment damage.
3. All wiring must comply with local codes and ordinances.
4. Always conduct a thorough checkout when installation is complete.

MOUNTING AND WIRING

All wiring must comply with local codes and ordinances.

1. Loosen the four explosion proof housing cover screws and remove the cover and thermostat combination.
2. After selecting a location, mount the explosion proof housing on the wall. See Figs. 1 and 2.

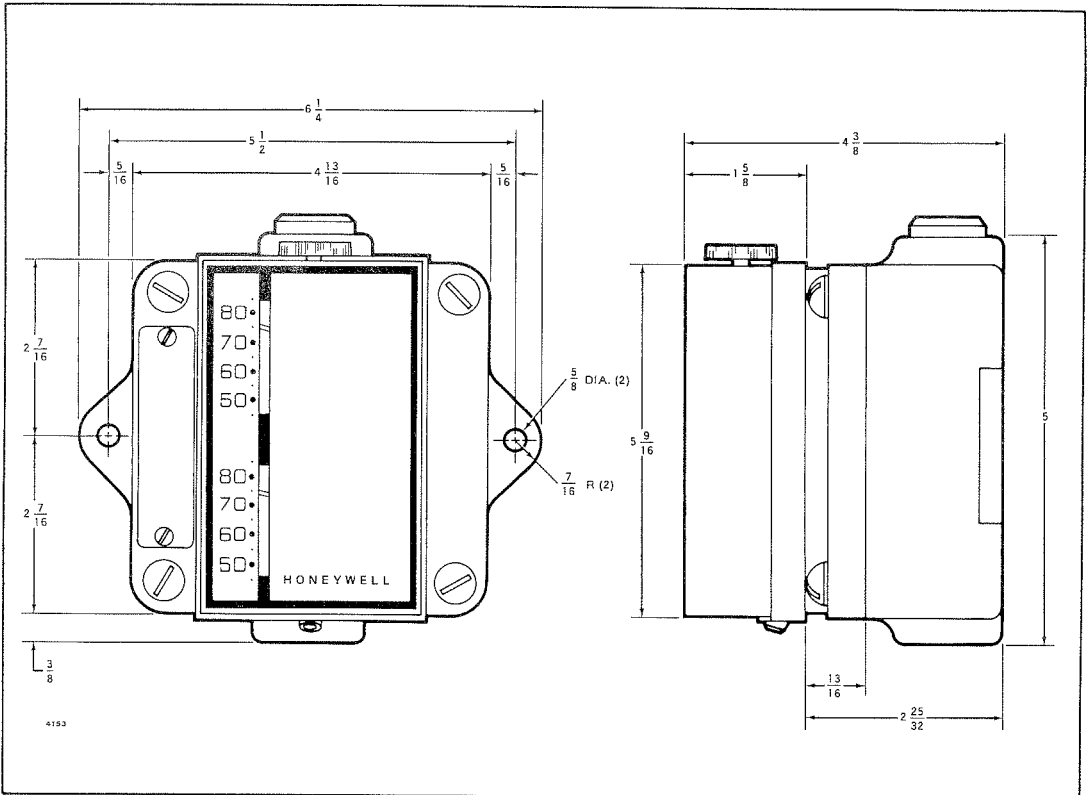


Fig. 1—Mounting dimensions.

FILE COPY

RETURN TO

RESIDENTIAL DIVISION

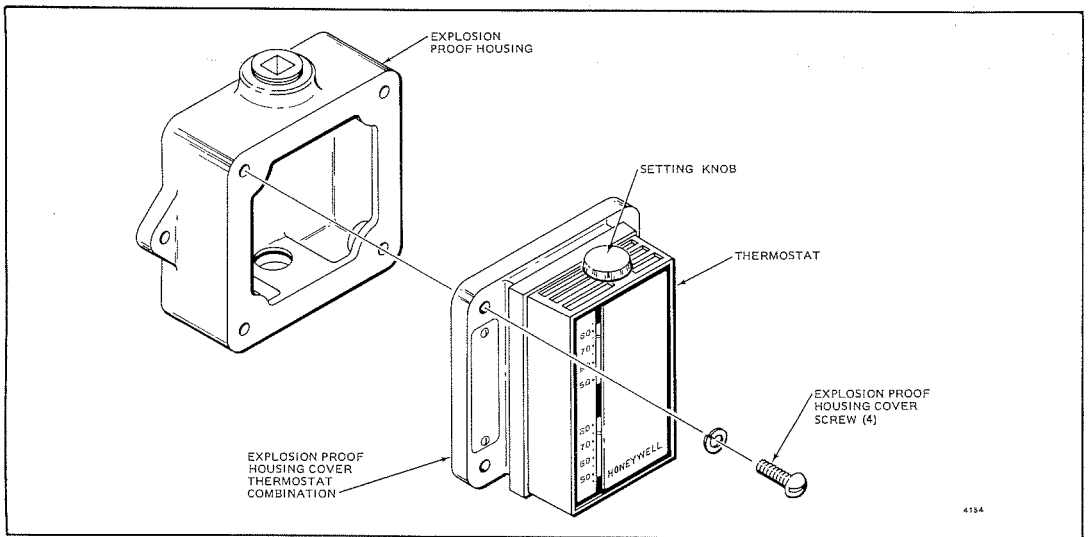


Fig. 2—Mounting T6051B.

3. The explosion proof housing is tapped for 3/4 inch conduit. Run the conduit between the explosion proof housing, the power source, and the controlled equipment. Leave six to eight inches of wire in the box to make thermostat connections.

4. Make wires to the terminals on the back of the thermostat. See Figs. 3-7 for typical wiring hookups.

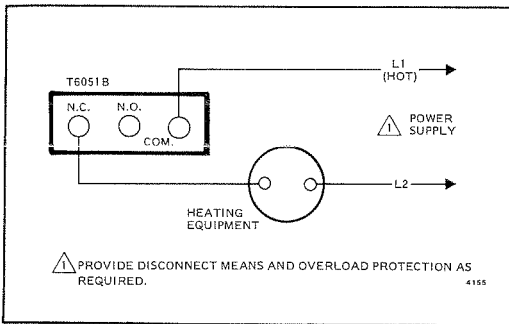


Fig. 3—T6051B in heating only application.

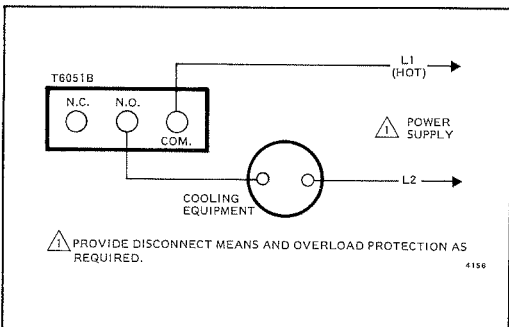


Fig. 4—T6051B in cooling only application.

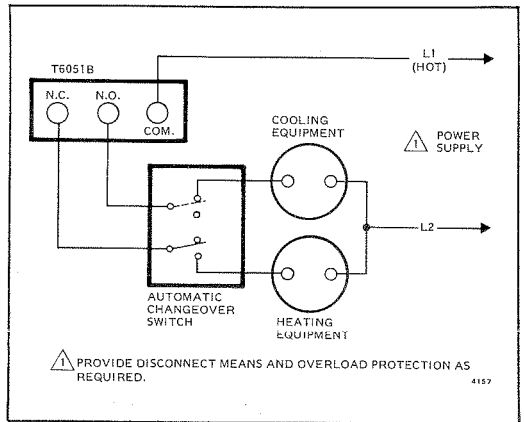


Fig. 5—T6051B in heat-cool control for separate heating and cooling equipment.

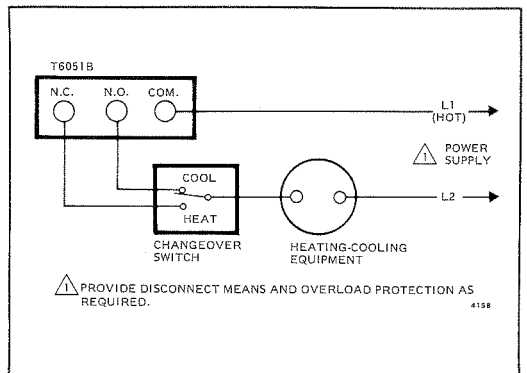


Fig. 6—T6051B heat-cool control for combination heating-cooling equipment.

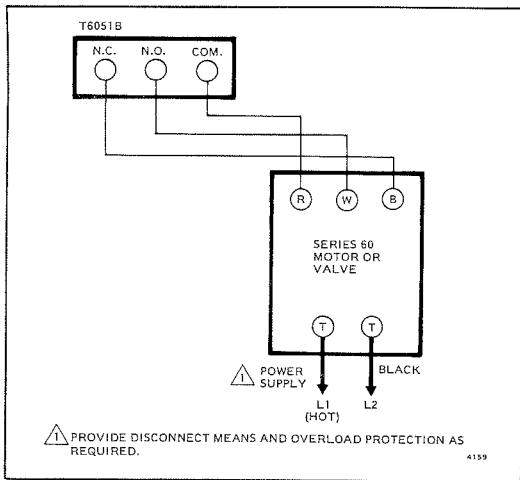


Fig. 7—T6051B used as a series 60 control. 3-wire, line voltage, two position control.

ALTITUDE CALIBRATION

This thermostat was calibrated at the factory for accuracy at 1,000 feet above sea level. It may be necessary to reset the thermostat for the altitude of your locality. If you do not know your altitude, consult your local U.S. Weather Bureau or Public Library.

To remove cover, use setpoint knob to loosen screw beneath cover and pull cover off.

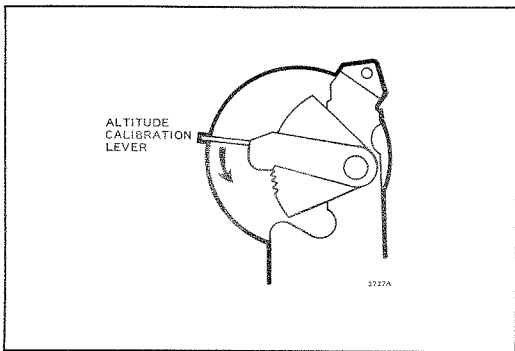


Fig. 8—Altitude calibration.

Each notch on the calibration mechanism represents 2,000 feet. If you are above sea level use the chart to determine how far to move the indicator:

ELEVATION (IN FEET)	INDICATOR
0 to 2,000	Leave as is
2,000 to 4,000	Move down 1 notch
4,000 to 6,000	Move down 2 notches
6,000 and above	Move down 3 notches

TO LOCK

After altitude adjustment is complete, replace the cover and cover set screw. Move the setpoint indicator to the desired temperature setting. Remove the setpoint knob to lock the setpoint.

CHECKOUT

After the thermostat is installed and wired, operate it manually to make certain it is connected properly. Checkout will depend on type of hookup and controlled equipment. For cooling control check, turn the setting knob to move the indicator down the scale. This initiates a call for cooling and the cooling equipment should respond. For heating control check, turn the setting knob to move the indicator up the scale. This initiates a call for heat, and the heating equipment should respond. For heating/cooling control, check both heating and cooling as described above. For series 60 control check, cycle the equipment through the T6051B and make sure it functions as intended.

CAUTION

If the thermostat is controlling a compressor, allow at least two minutes between on cycles to equalize internal pressure. Rapid cycling might damage compressor and overload electrical circuit.

CAUTION

When servicing controlled equipment the power supply **MUST** be disconnected before opening explosion proof box, or the explosion proof feature of the box will be defeated.

By using this Honeywell literature, you agree that Honeywell will have no liability for any damages arising out of your use or modification to, the literature. You will defend and indemnify Honeywell, its affiliates and subsidiaries, from and against any liability, cost, or damages, including attorneys' fees, arising out of, or resulting from, any modification to the literature by you.

WARRANTY "Unless otherwise specified, the Company warrants all Residential Division equipment manufactured by it and bearing its nameplate to be free from defects in workmanship and materials under normal use and service as follows:

1. Equipment which is received transportation prepaid at the factory originating shipment (1) within twelve months after date of manufacture, or (2) with a certification by the installer to be within twelve months after date of installation, and found by the Company's inspection to be defective in workmanship or materials within the guarantee, will be repaired or replaced at the Company's option, free of charge and returned lowest cost transportation prepaid. Premium transportation will be used at customer's request and expense;
2. If inspection by the Company does not disclose any defect covered by the guarantee, equipment will be repaired or replaced and the Company's regular service charge will apply;
3. **WITH EXCEPTION OF THE FOREGOING AND UNLESS SPECIFICALLY EXPRESSED IN WRITING, THE COMPANY MAKES NO EXPRESS WARRANTIES, NO WARRANTIES OF MERCHANTABILITY AND NO WARRANTIES WHICH EXTEND BEYOND THE DESCRIPTION OF THE FACE HEREOF."**

HONEYWELL MINNEAPOLIS, MINN. 55408 INTERNATIONAL Sales Offices in all principal cities of the world. Manufacturing in Australia, Canada, Finland, France, Germany, Japan, Mexico, Netherlands, Spain, Taiwan, United Kingdom, U.S.A.