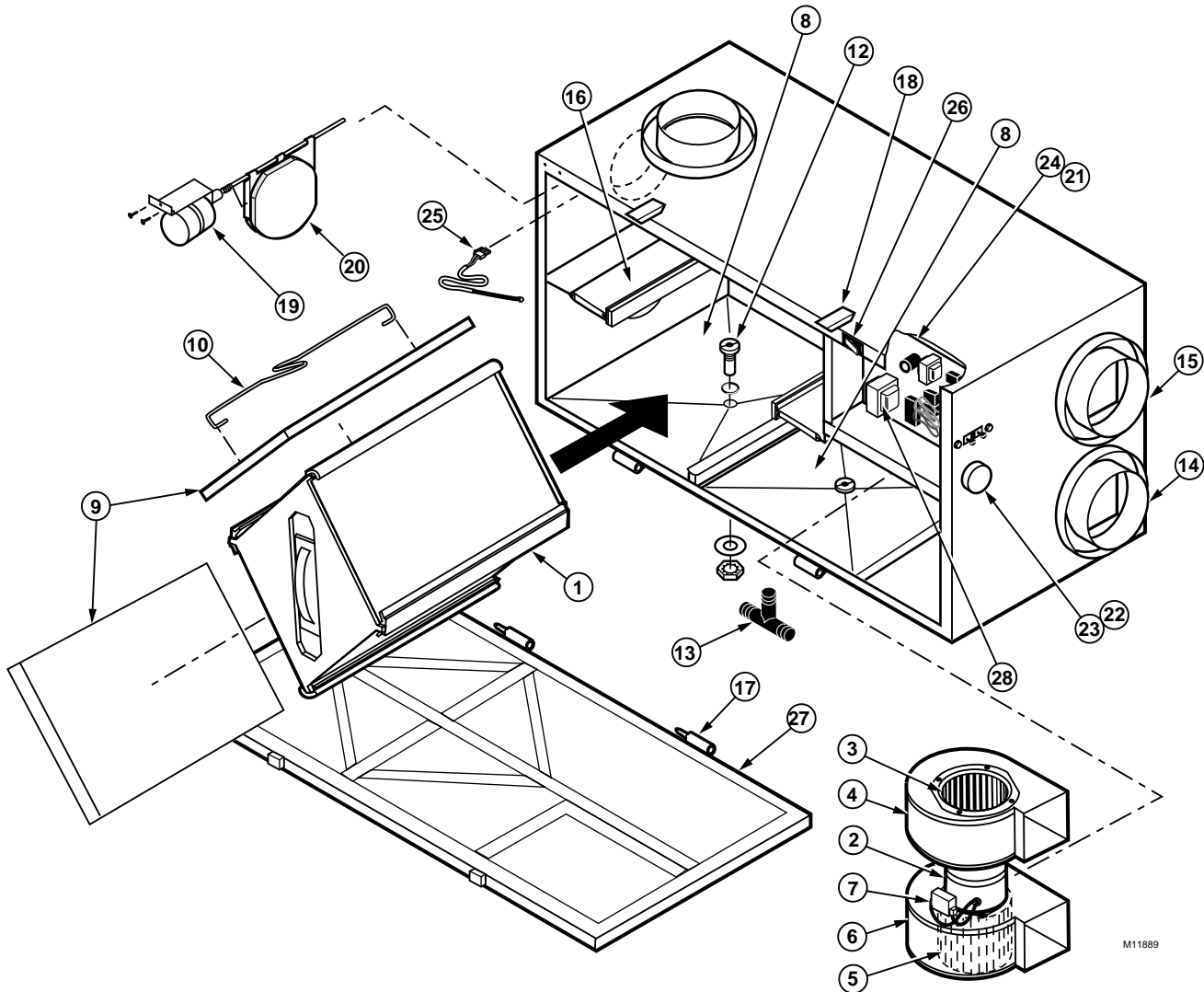


Fresh Air Ventilation

ER150; ER200 Energy Recovery Fresh Air Ventilation Systems



ER150B and ER200B exploded View. Part Numbers are keyed to Parts List.



ER150B and ER200B Parts List

No.	Description	Part Number for	
		ER150B/C	ER200B/C
1	Cross Flow Enthalpy Core	32002074 - 001	32002074 - 001
2	Blower Motor	208359	208359
3	Top Blower Wheel (Clockwise)	208504	208508
4	Top Blower Housing (Clockwise)	208505	208505
5	Bottom Blower Wheel (Counterclockwise)	208506	208688
6	Bottom Blower Housing (Counterclockwise)	208507	208507
7	Motor Capacitor	209711	209711
8	Condensate Pan, Left or Right	208509	208509
8	Condensate Pan, Set	—	—
9	Foam Prefilter, Set of 2	32002114 - 001	32002114 - 001
10	Clip for Foam Prefilter	209722	209722
11	Circuit Board for Damper Motor	—	—
12	Drain Spout	208514	208514
13	Drain "T" Fitting	208515	208515
14	Duct Collar, Red	208516	208516
15	Duct Collar, Blue	208517	208517
16	Guide Channel, Set of 4	32002113 - 001	32002113 - 001
17	Door Hinge, Complete	208519	208519
18	Door Latch, Complete	208520	208520
19	Defrost Damper Motor, Power Return (ER150B and ER200B only)	209715	209715
20	Defrost Damper Door (ER150B and ER200B only)	208522	208522
21	Nylon Circuit Board Stand-Off	209720	209720
22	Speed Control Knob	208526	208526
23	Manual Speed Control, 5-Position	208383	208383
24	Manual Control Circuit Board	209719	209719
25	Thermistor Assembly	208365	208365
25	Temperature Sensor, Snap Disk	208381	208381
26	Door Interlock Switch	208368	208368
27	Door	208366	208366
28	Auto Transformer	209718	209718

Parts and Accessories Not Illustrated

Description	Part Number for	
	ER150B/C	ER200B/C
20/40/60 Digital Fan Timer	209599	209599
Wall Transformer, 24 Vac, 10A	209663	209663
Installation parts kit	208379	208379
Blower Interface Kit	32003248-001	32003248-001
20 minute Remote Ventilation Timer, 3-wire	32003487-001	32003487-001