

# Building Control Systems



August 5, 2009

customer.honeywell.com

**TO:** Authorized System Distributors  
Commercial Controls Distributors  
General Wholesalers  
Authorized Controls Integrators  
Automation and Control Specialists  
Commercial Comfort and Energy Specialists  
Honeywell Sales Representatives

**FROM:** Nick Dalsin, Product Manager  
Amy Anderson, Product Specialist

**SUBJECT:** Announcement of WSK-24 Compatibility with T7350 & T7351 Thermostats

**BULLETIN:** 09-0146

---

## Using the WSK-24 Wireless Occupancy Solution with the T7350/T7351 Thermostats

The WSK-24 and T7350/T7351 thermostats have reverse logic for switching between occupied and standby. The receiver for the Wireless Occupancy Solution has a normally open (N.O.) relay, which translates to an occupied state. The occupied state on the T7351 and T7350s assumes that the dry contact inputs are normally closed (N.C.). Therefore, a low voltage switching relay will need to be used to reverse the logic of the dry contact input in order to use the WSK-24 Wireless Occupancy Solution with a T7351 or T7350 thermostat.

### R8222 Switching Relay

A R8222 low voltage switching relay can be used to reverse the logic of the dry contact input into the thermostat. A relay with a normally closed contact configuration should be chosen. The R8222 switching relay will require 24 V power to energize the coil upon contact closure. Please refer to the R8222 Installation Instructions (form #60-0014) for more information on installation.

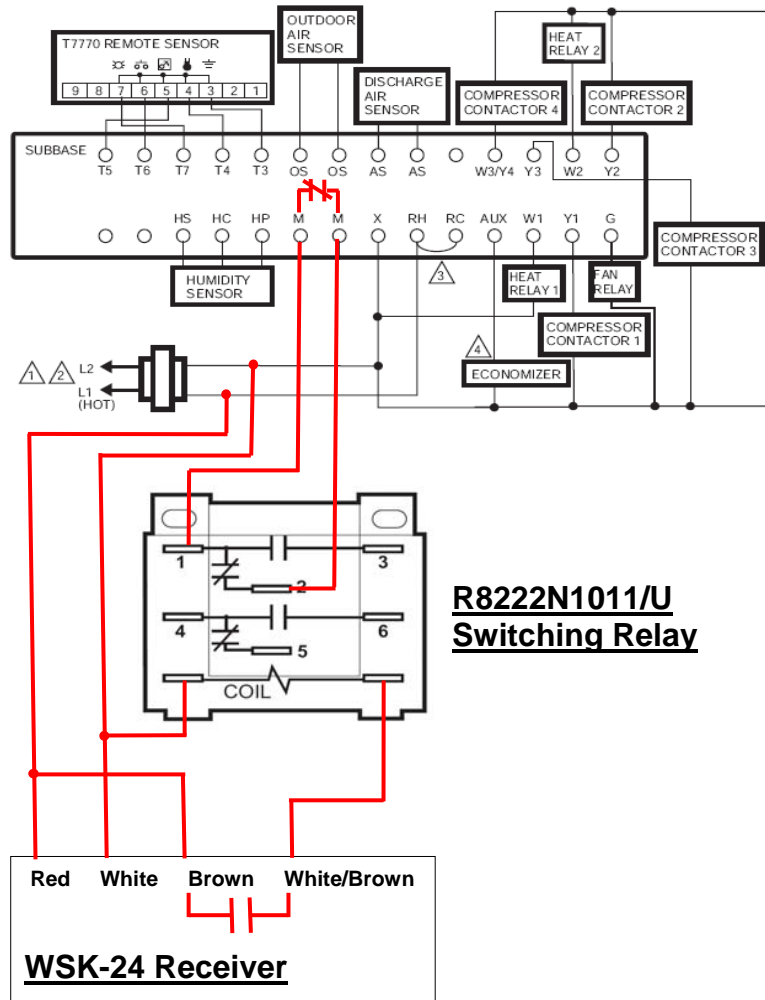


### Availability

The R8222N1011/U is a double pole, double throw (DPDT) relay and can be wired between the WSK-24 receiver and the T7350/T7351 thermostat to reverse the logic. Currently, there are R8222N1011/U relays in stock. For ordering information, contact Honeywell Customer Care at 763-954-5720 or order products online at [customer.honeywell.com](http://customer.honeywell.com).

## Wiring Diagram Example

### T7350 Wiring Subbase



### More Information

- **R8222 Installation Instructions (Form # 60-0014)**
- **Order Products**  
[customer.honeywell.com](http://customer.honeywell.com)  
[customer.honeywell.ca](http://customer.honeywell.ca)
- **Order Literature**  
[literature.honeywell.com](http://literature.honeywell.com)
- **Technical Support**  
Commercial Components Hotline 1-888-516-9347
- **Sales and Product Information**  
Contact your local Honeywell sales representative  
New products: [www.beyondinnovation.honeywell.com](http://www.beyondinnovation.honeywell.com)